

FITMENT INSTRUCTIONS

Alu-Cab™



Canopy Camper Water Tank Canvas Bag Kit (CC-A-WT-CB-KIT)

All rights reserved. No part of this document may be reproduced, translated, stored in a retrieval system, or transmitted, in any form or by any means, electronic, mechanical, photocopying, recording or otherwise, without prior written permission of the owner.

Review all instructions information carefully before installation.

Any damages, direct or incidental to the installer and/or property due to incorrect installation of any parts are the responsibility of the installer. Due to the various applications and fitment options available, the responsibility lies with the user to ensure all mounting points are secure and tight before every trip. If unsure, consult with your Distributor regarding the operations of our products.

Users are advised to be mindful of the load they are carrying and drive in accordance with road conditions.

DISCLAIMER

Alu-Cab



*** NB - IMPORTANT NOTE**

It is important to note that this Fitment Instruction must be read in conjunction with the following Fitment Instruction:

Canopy Camper Water Tank Kit (CC-A-WT-KIT) Fitment Instruction

The above mentioned Fitment Instruction outlines the mounting of the Canopy Camper Water Tank Kit and should be referenced up to and including sub-section 2.3.

This Fitment Instruction will form sub-sections 2.4 - 2.6, outlining the steps for mounting the Canvas Bag Assembly.

1. Canopy Camper Water Tank Canvas Bag Kit – Tools, Fasteners & Materials

The tables below show the equipment, i.e. tools and fasteners required to start the Canopy Camper Water Tank Canvas Bag Kit fitment into a Canopy Camper.

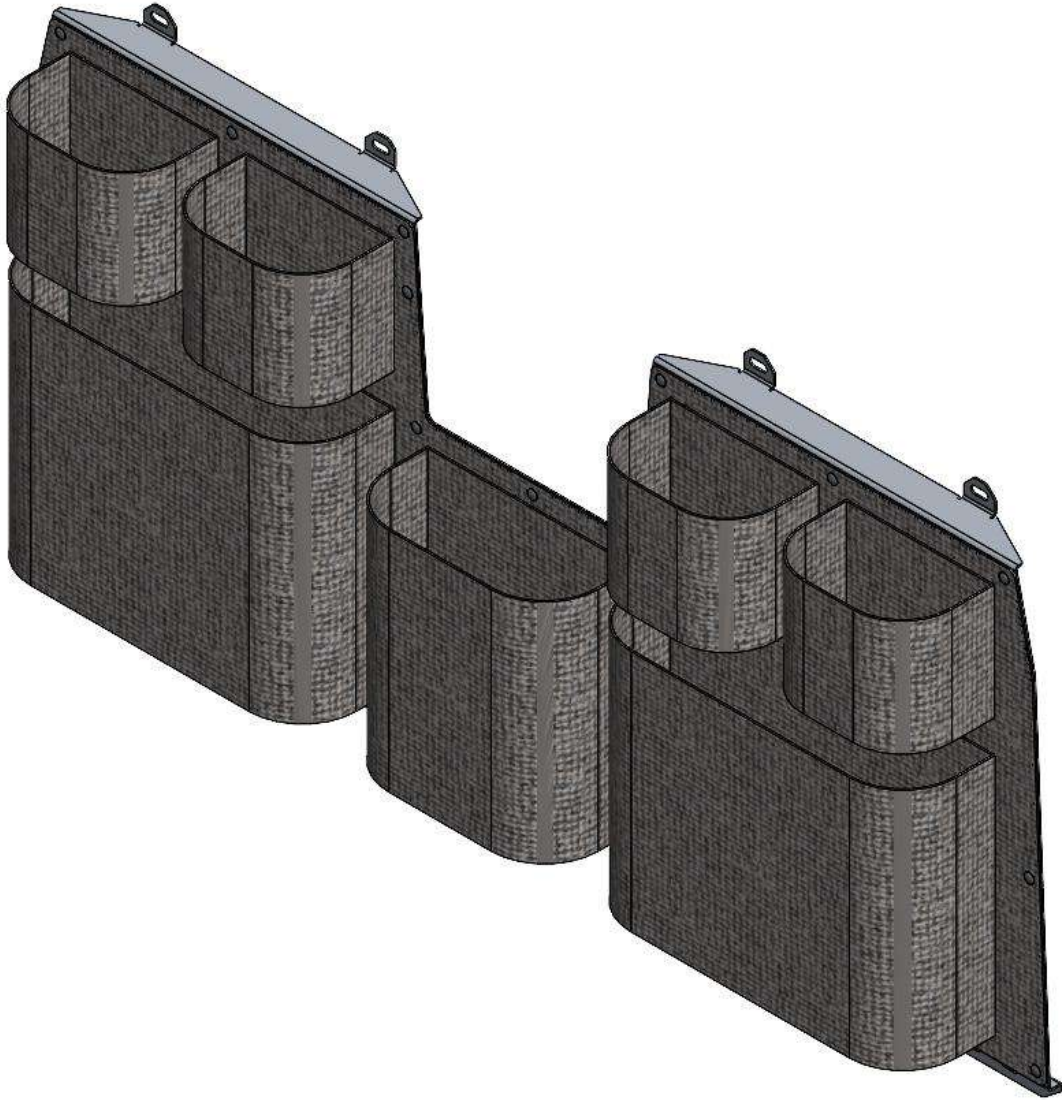
Tools & Items Required:

TOOLS	
2X 13MM SPANNERS	THREAD TAPE/THREAD SEALANT
13MM SOCKET AND RATCHET	DRILL
FLAT SCREW DRIVER	20MM DRILL BIT/HOLESAW
PHILLIPS SCREW DRIVER	

Hardware Required: (Included with the Canopy Camper Water Tank Canvas Bag Kit)

ITEM	DESCRIPTION	QTY
CC-A-WT-CB-KIT	CANOPY CAMPER WATER TANK CANVAS BAG KIT	1

Component Identification (Not to Scale)



CC-A-WT-CB-KIT:
CANOPY CAMPER WATER TANK
CANVAS BAG KIT (PREASSEMBLED)



WARNING

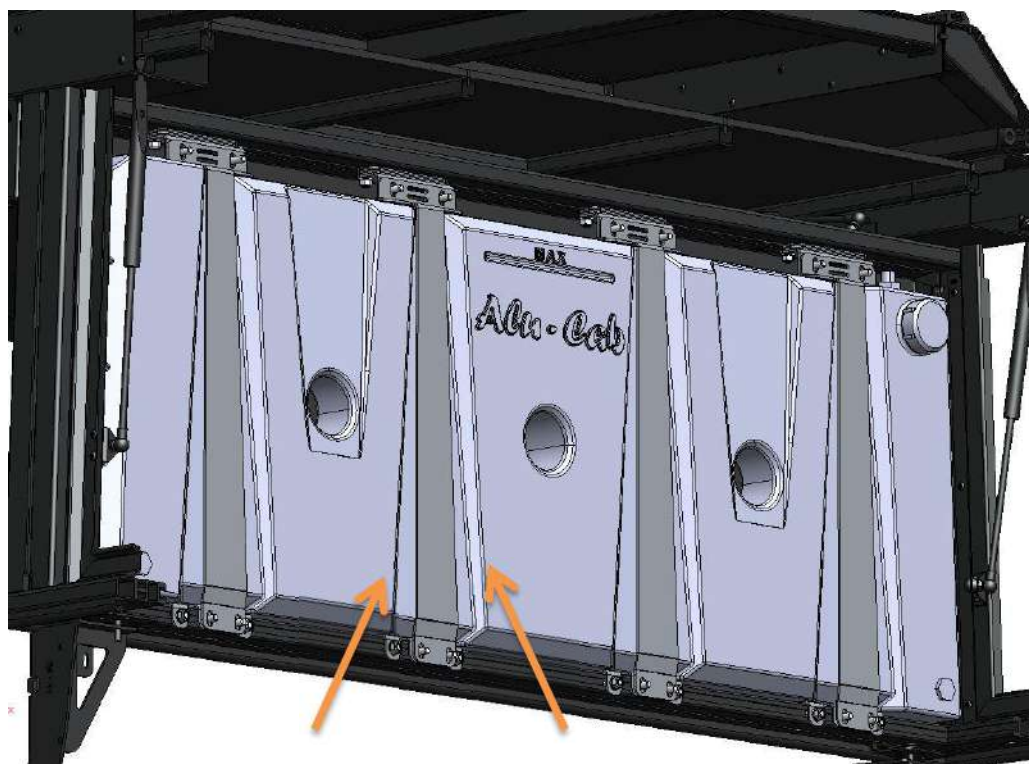
Always wear appropriate PPE (Personal protection equipment) when fitting this product. Although the mounting kit is designed to be DIY, if you have any doubts or concerns, contact an accredited fitment centre to carry out the work. Alu-Cab will not be liable for any injury to persons, and/or damage to products and/or vehicles.

2.4 Tank and Top Down Mounting Brackets

The next step to install the Canopy Camper Water Tank Kit is to fit and assemble the Top Down Mounting Bracket assembly and place the Water Tank:



Place the Water Tank as shown



Place the Top Mounting Down Brackets over the Water Tank, between the Tank Ridges, as shown.

Shift and position the Bottom, Top and Down brackets to correspond and align centrally with the Water Tank recesses



Place 4x M8 Flat Washers on the corresponding M8 Screws as shown



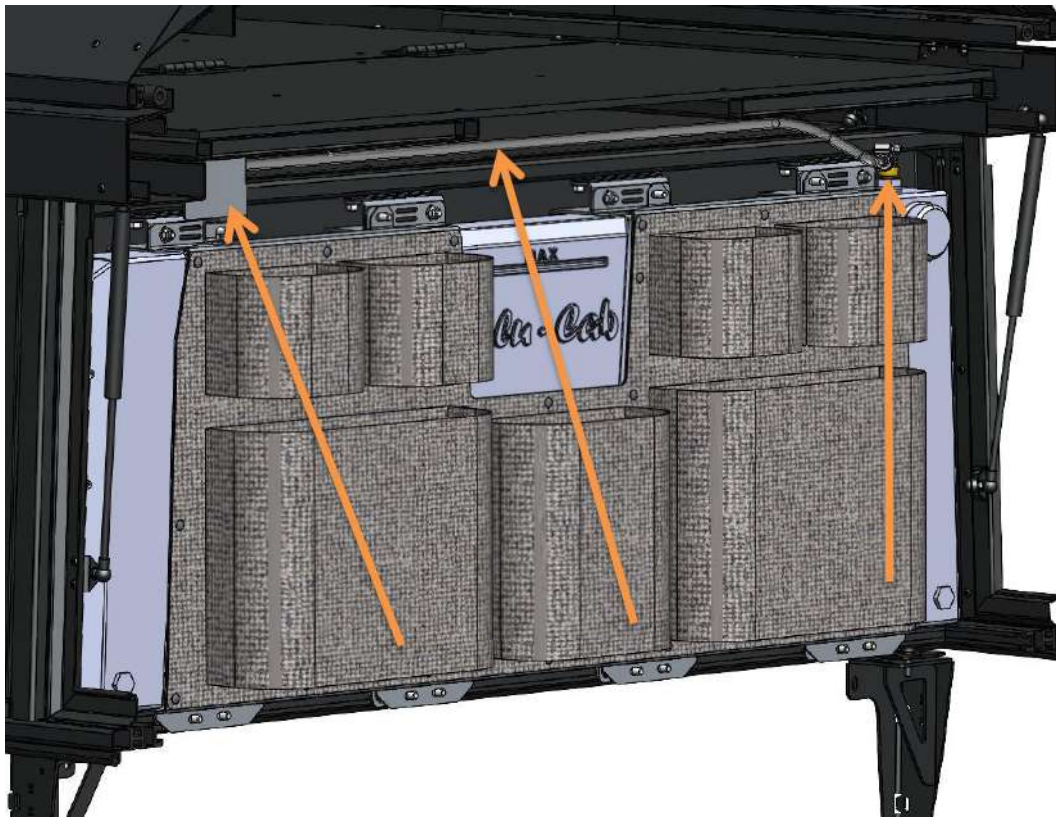
Secure the Top Mounting Down Brackets at the top using 4x M8 Nyloc Nuts

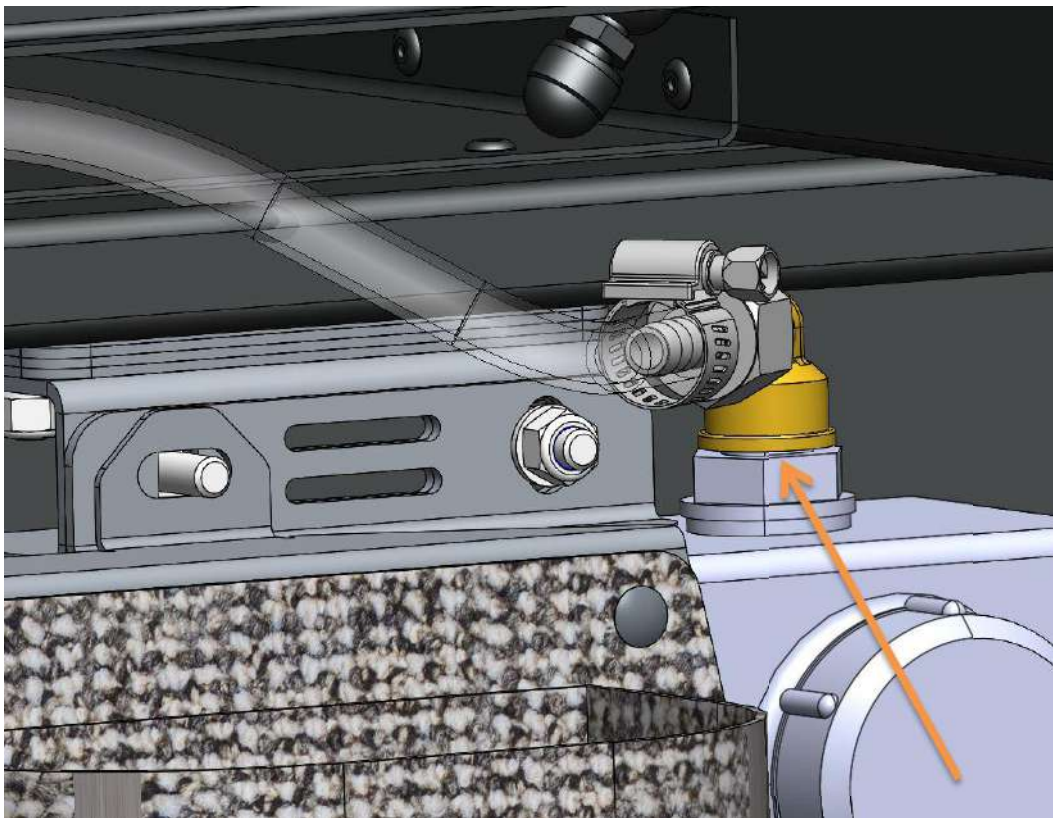
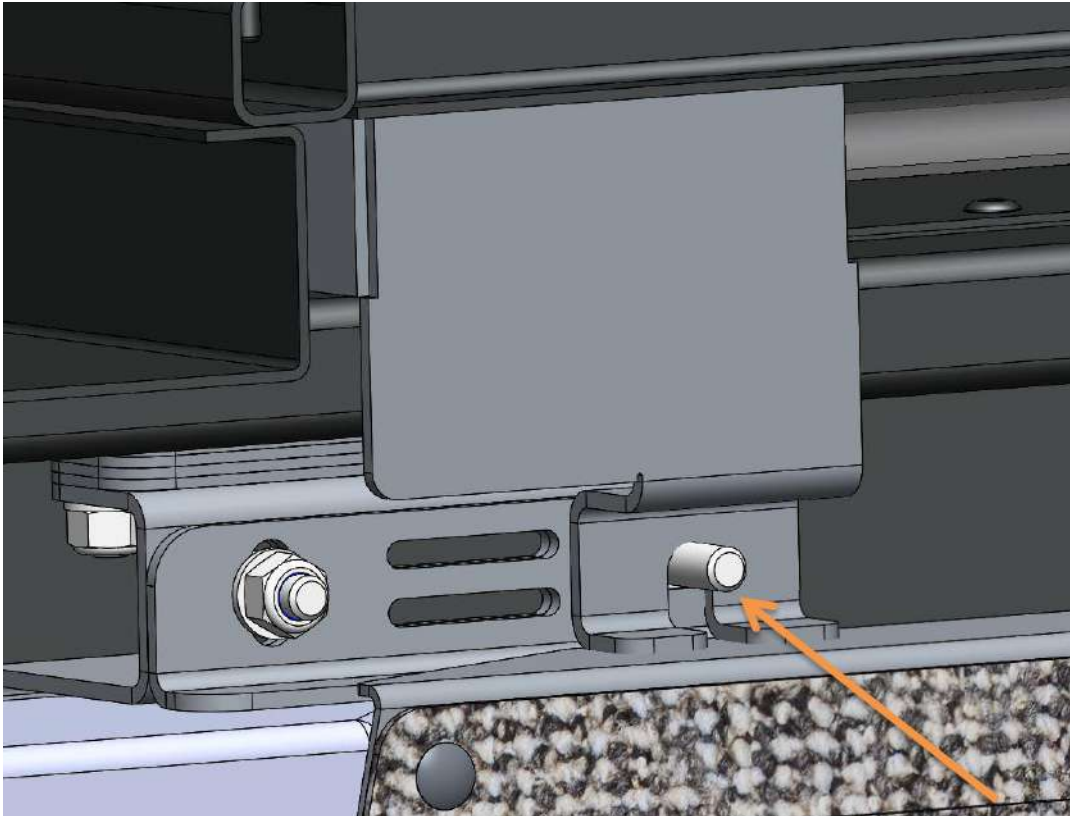
2.5 Water Tank Canvas Bag and Breather Assembly

The next step to install the Canopy Camper Water Tank Kit is to fit the Canvas Bag assembly and Breather assembly:

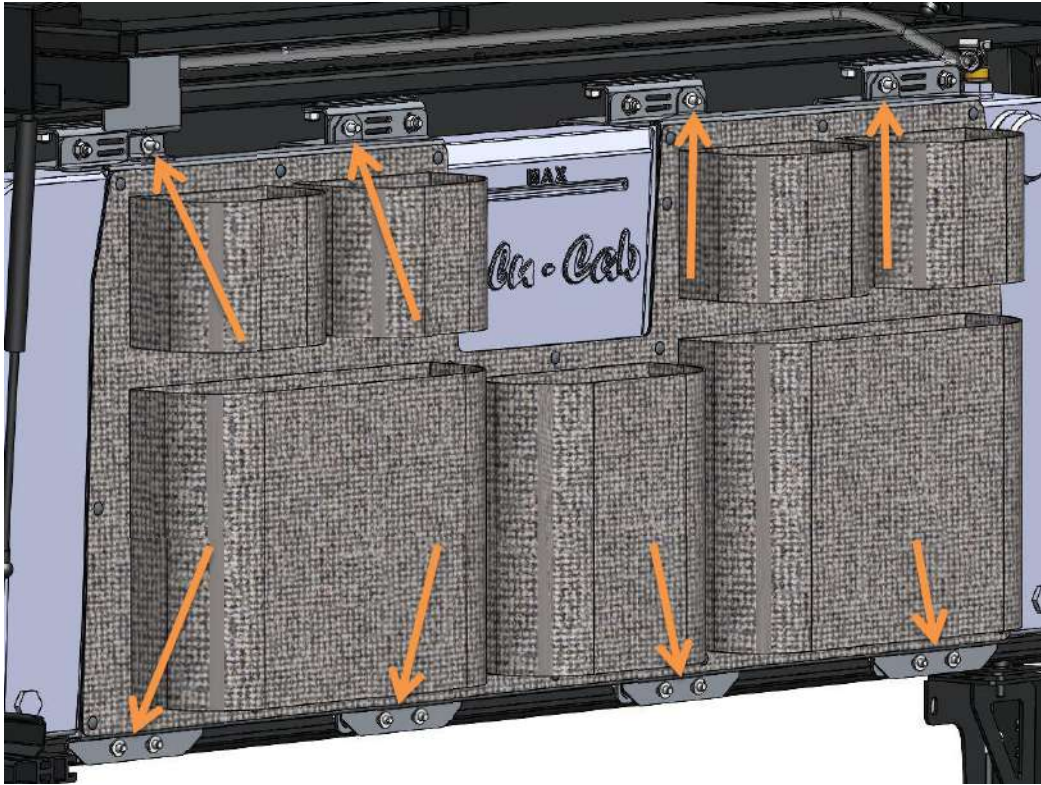


Place the Water Tank Cover Plate and Canvas Bag assembly over the corresponding Screw fasteners as shown

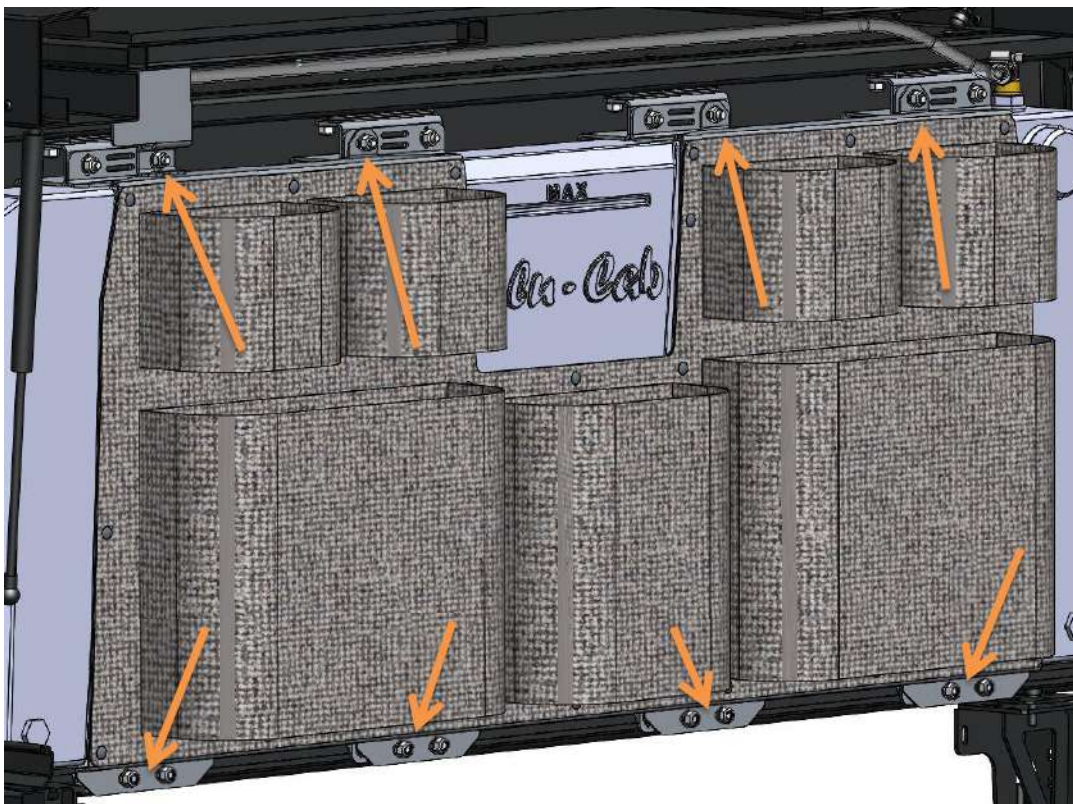




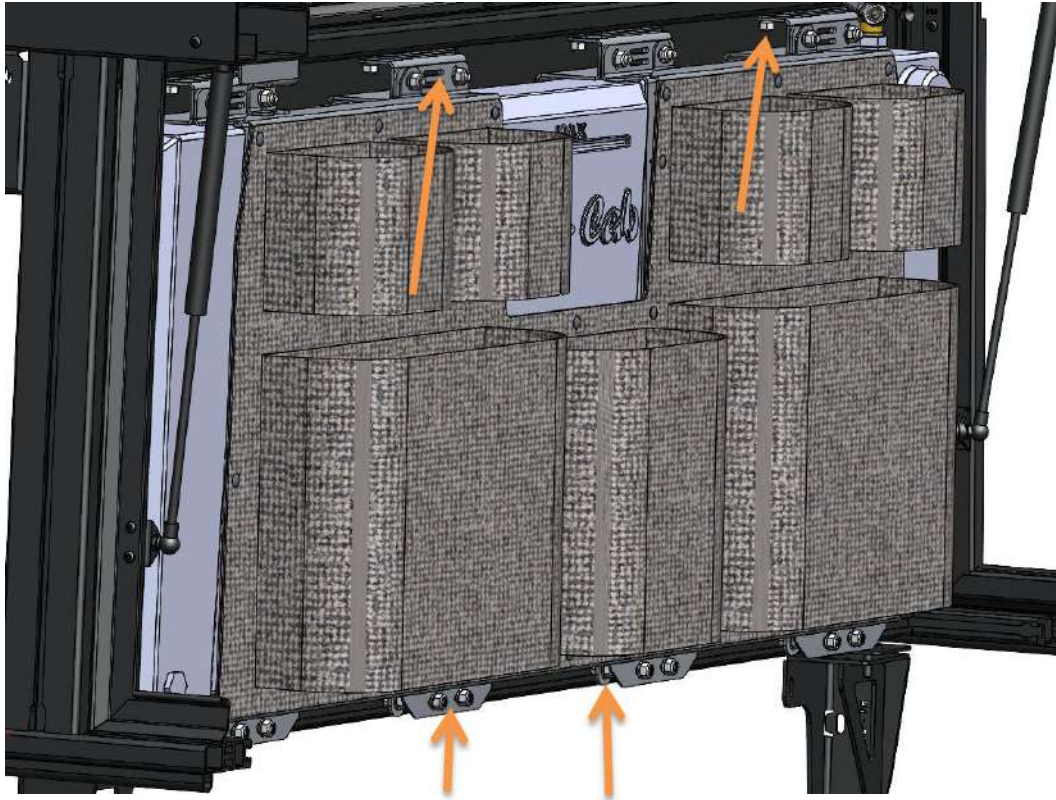
Place the Water Tank Breather assembly as shown, and screw on the connector to the Water Tank Bulk Head Fitting



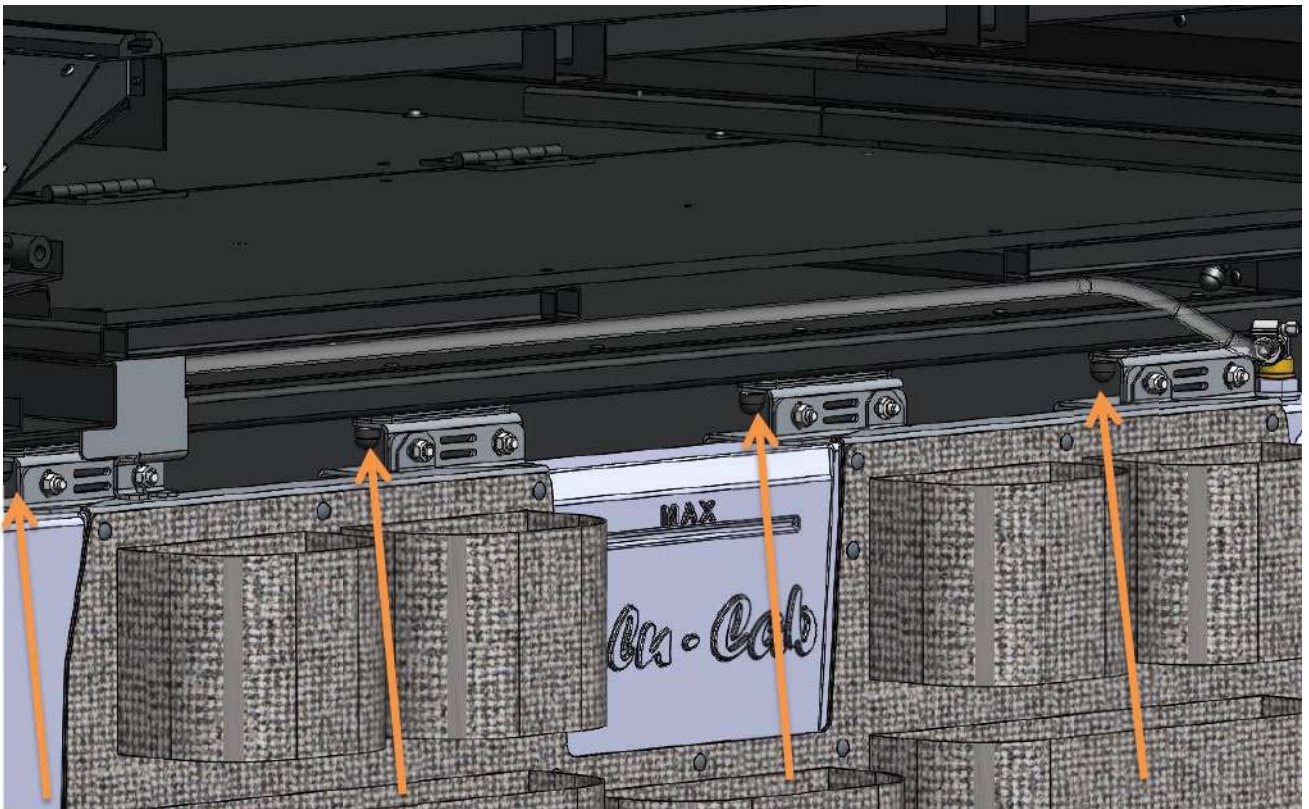
Place M8 Flat Washers over the shown Screw fasteners

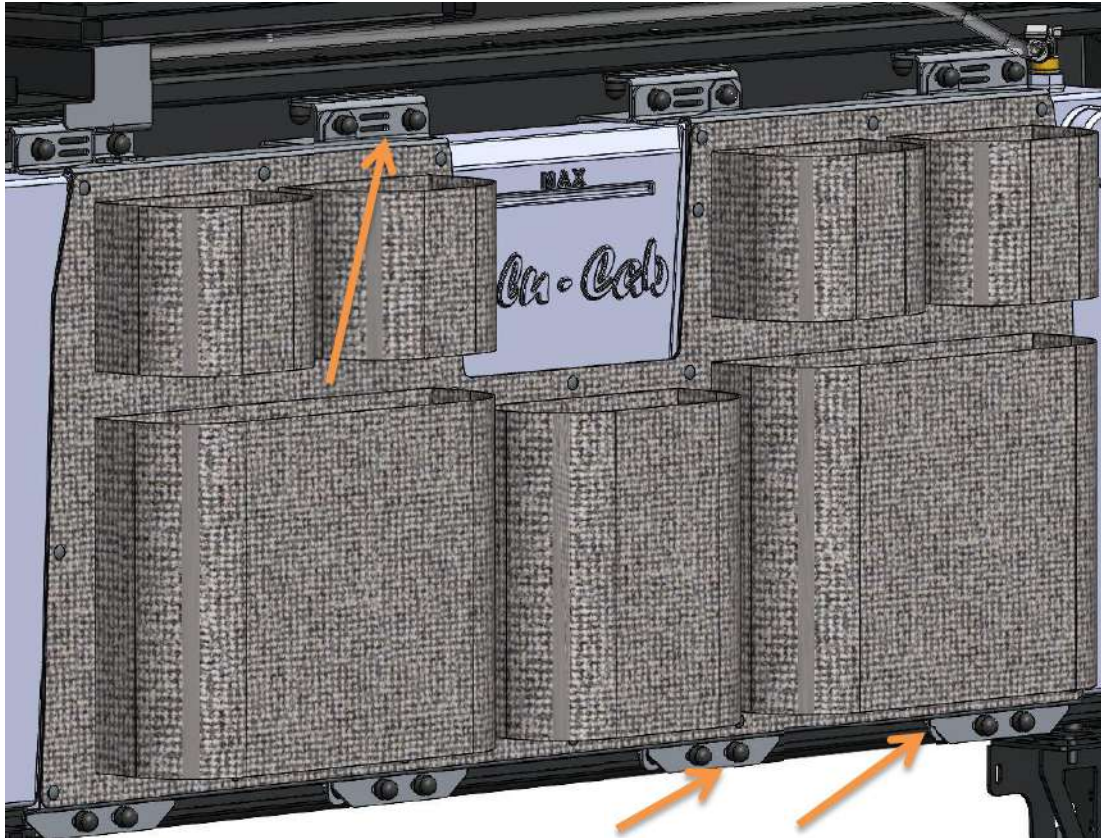


Secure the shown fasteners with the remaining M8 Nyloc Nuts



Fully tighten all Nyloc Nuts to secure the Water Tank in place

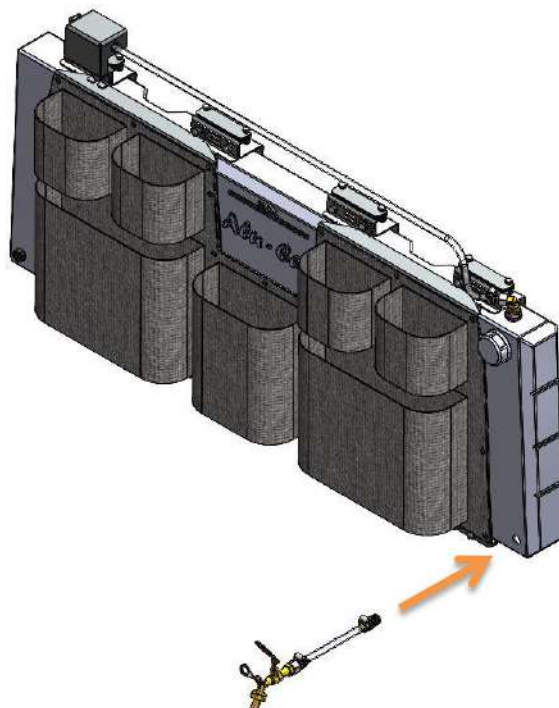




Place Plastic Nut Caps over all the exposed M8 Nuts and Screws

2.6 Water Tank Tap Assembly

The last step to install the Canopy Camper Water Tank Kit is to fit the Tap Assembly:



Add thread tape or thread sealant to the Male threaded hose fitting on the Tap Assembly and screw it into the desired Outlet on the Water Tank. Next, using your Drill, drill a 20mm hole in the desired location for your Tap, unscrew the Tap from its hose connector and screw it back through the drilled hole, sealing with thread tape or thread sealant. A 3m length of hose has been supplied to access most applicable locations for your tap mounting location.

The image below shows an example of a rear mounted tap assembly, where the hole has been drilled through one of the rear filler panels:

