

# FITMENT INSTRUCTIONS

**Alu-Cab**<sup>TM</sup>



## CANOPY CAMPER TO SUIT NISSAN NP300, MERCEDES X-CLASS

All rights reserved. No part of this document may be reproduced, translated, stored in a retrieval system, or transmitted, in any form or by any means, electronic, mechanical, photocopying, recording or otherwise, without prior written permission of the owner.

Review all instructions information carefully before installation.

Any damages, direct or incidental to the installer and/or property due to incorrect installation of any parts are the responsibility of the installer. Due to the various applications and fitment options available, the responsibility lies with the user to ensure all mounting points are secure and tight before every trip. If unsure, consult with your Distributor regarding the operations of our products.

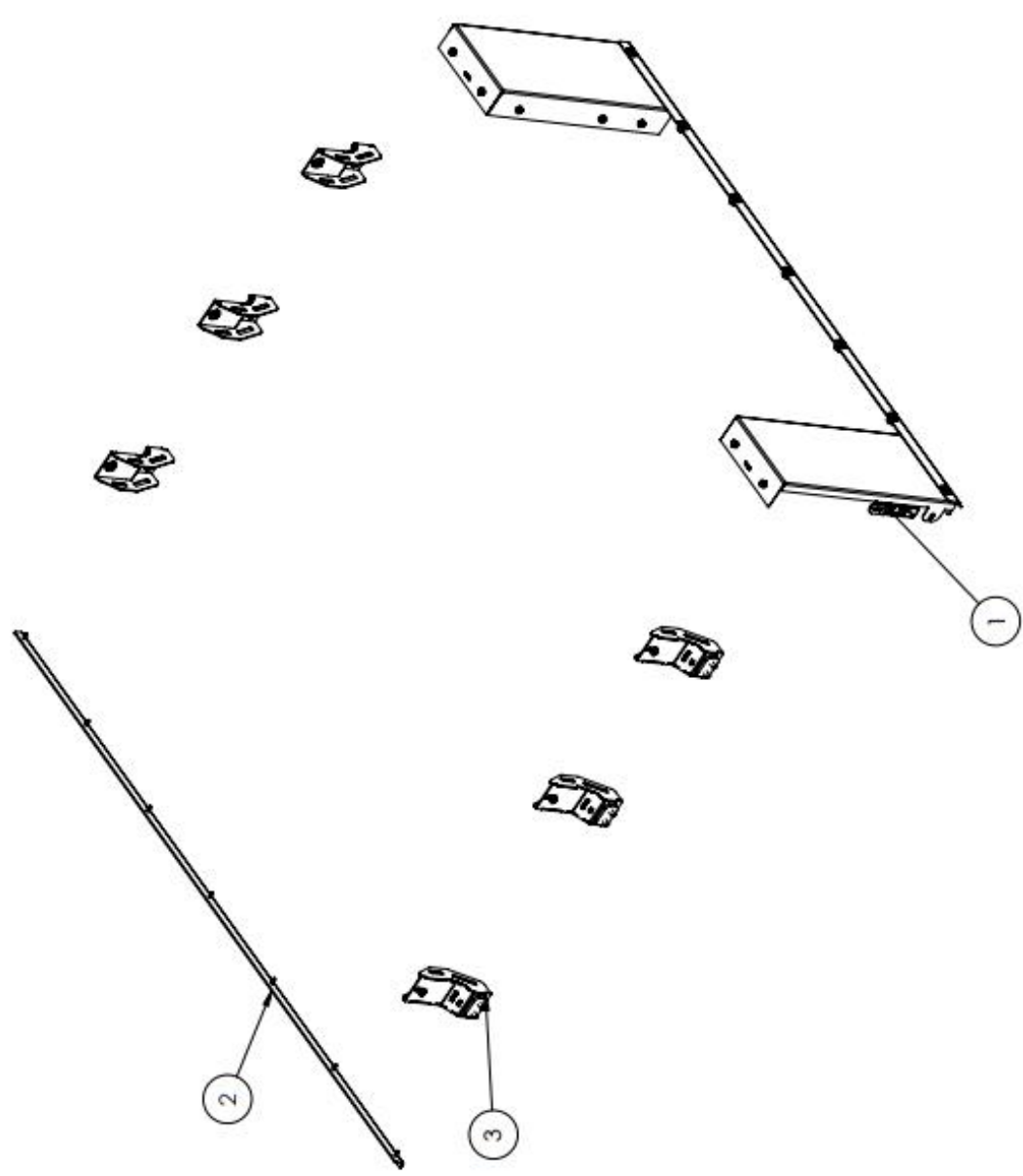
Users are advised to be mindful of the load they are carrying and drive in accordance with road conditions.

DISCLAIMER

**Alu-Cab**

NP300 ZA & AUS

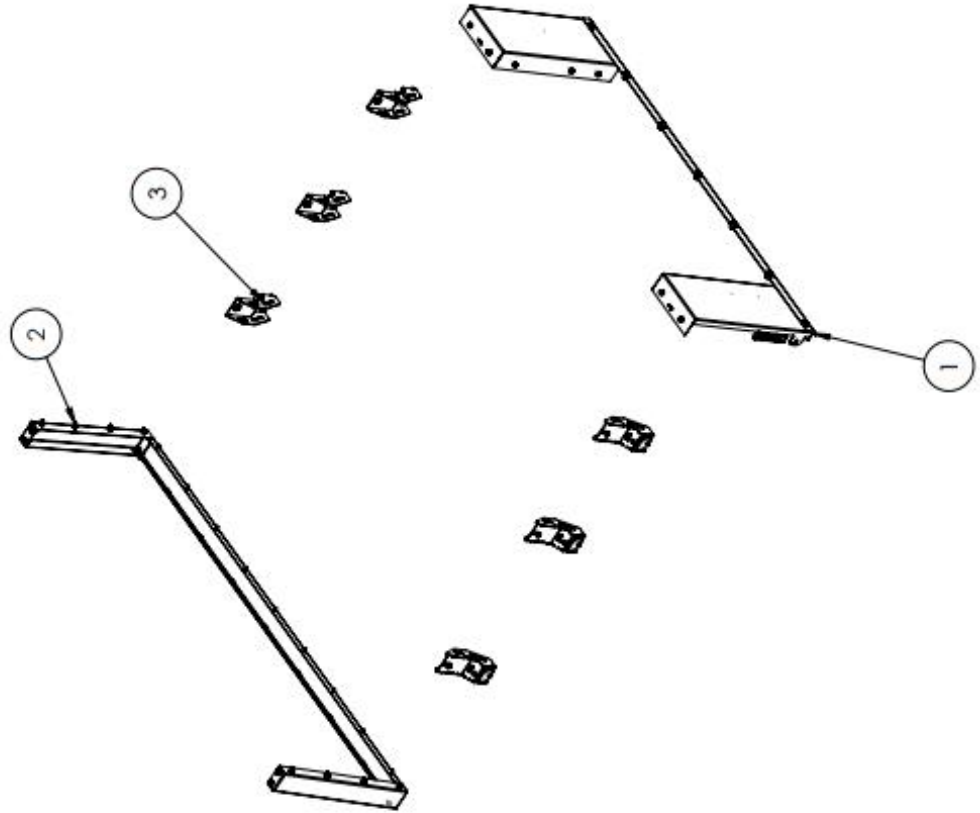
ITEM NO.	PART NUMBER	DESCRIPTION	QTY.
1	162-NP300-DC-RER-FILLER-KIT-ASSY-01-00	REAR FILLER KIT ASSEMBLY	1
2	162-NP300-ZA-FNT-FILLER-KIT-ASSY-01-00	FRONT FILLER KIT	1
3	NP300 CC. MOUNTING KIT ASSY	CCMOUNTING KIT ASSY	1



CC-FK-NNT6-ZA

# NP300 EU KIT

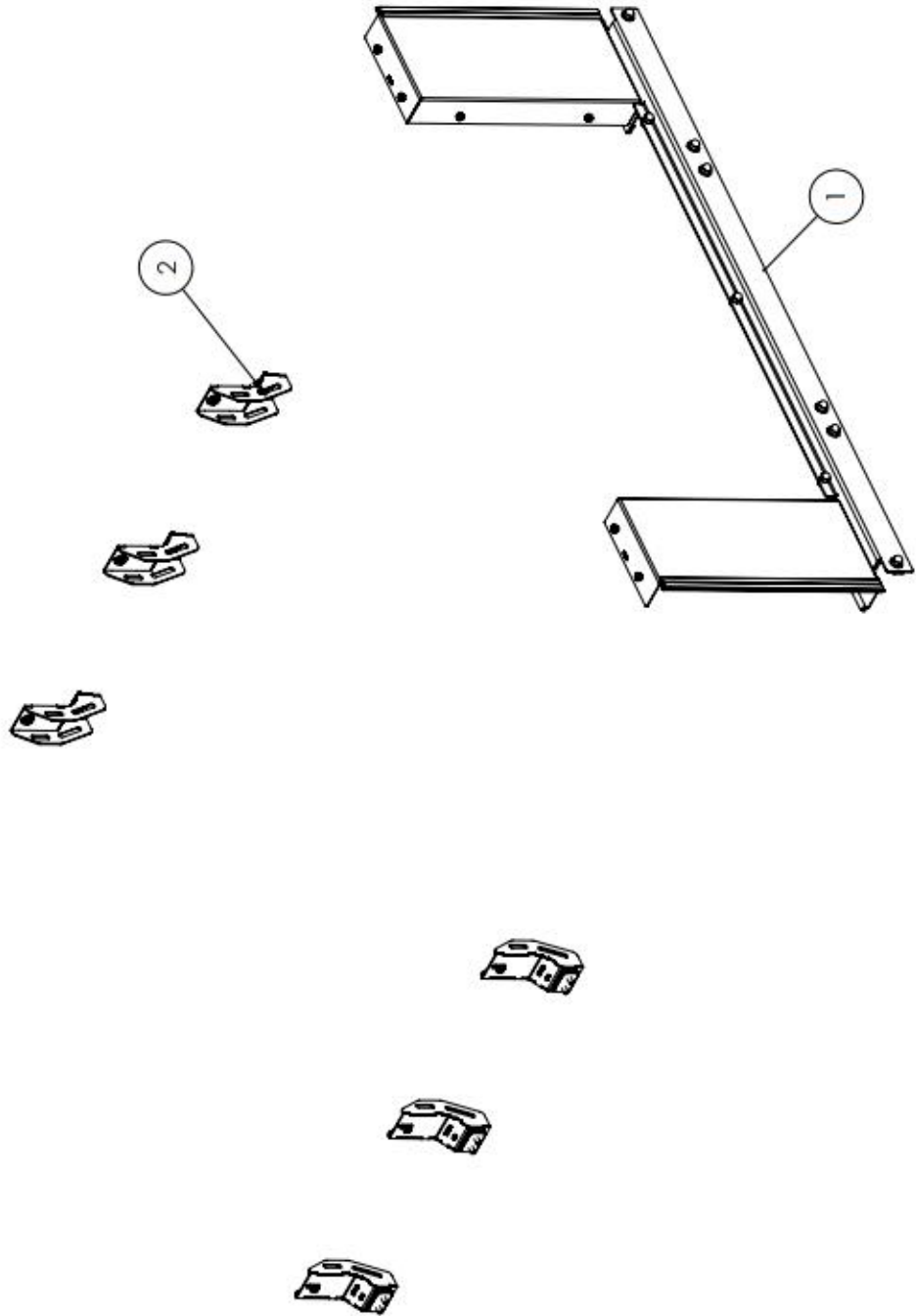
ITEM NO.	PART NUMBER	DESCRIPTION	QTY.
1	162-NP300-DC-RER-FILLER-KIT-ASSY-01-00	REAR FILLER KIT ASSEMBLY	1
2	162-NP300-FNT-FILLER-KIT-ASSY-01-00	NP300 FRONT COMPONENT ASSEMBLY	1
3	NP300 CC MOUNTING KIT ASSY	CCMOUNTING KIT ASSY	1



CC-FK-NNT16

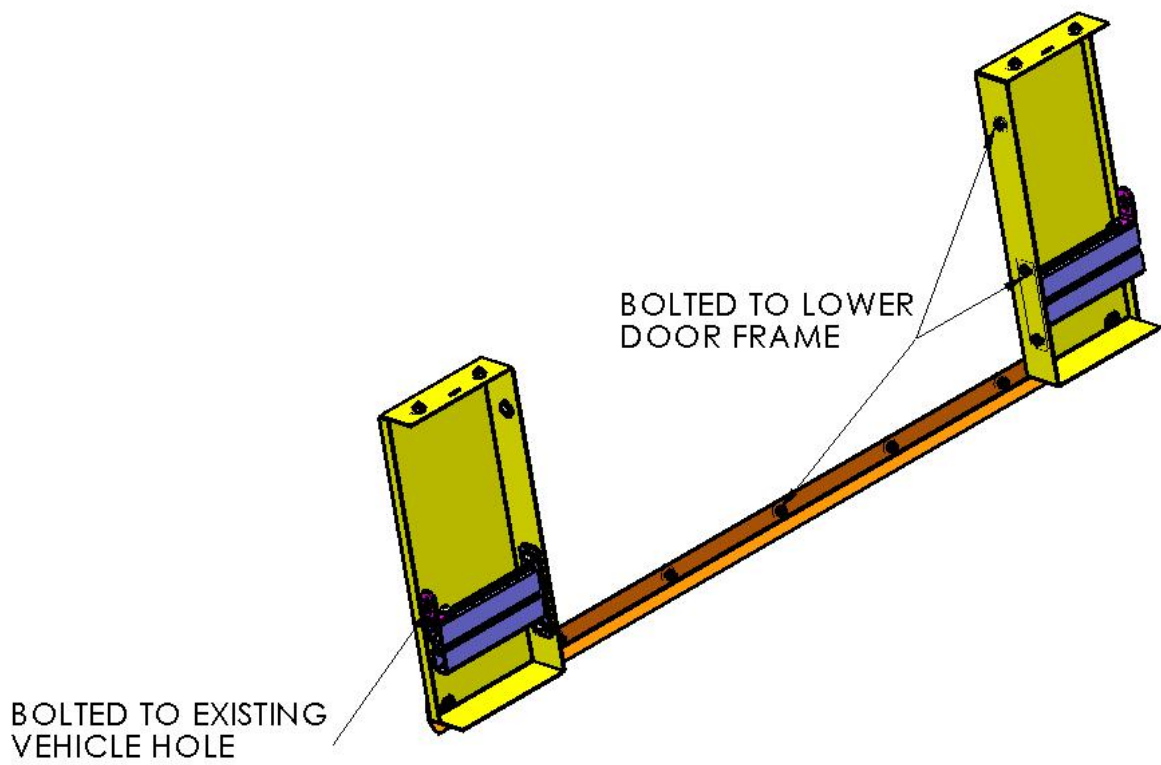
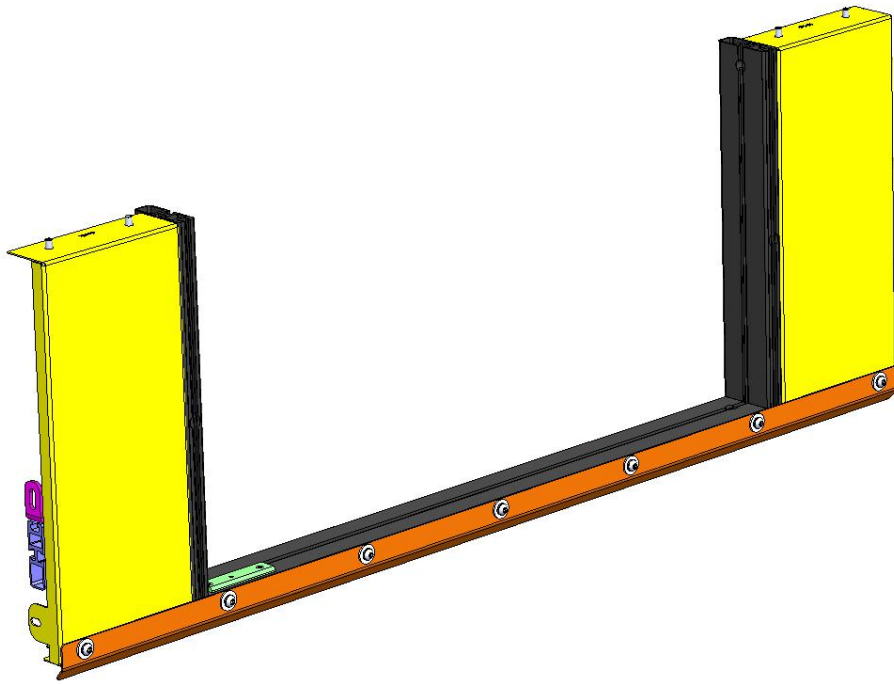
X-CLASS MERCEDES

ITEM NO.	PART NUMBER	DESCRIPTION	QTY.
1	162-MERC-RER-FILLER-KIT-ASSY-01	REAR FILLER KIT	1
2	162-MERC-DC-MNT-KIT-ASSY-01	MOUNTING KIT ASSY	1

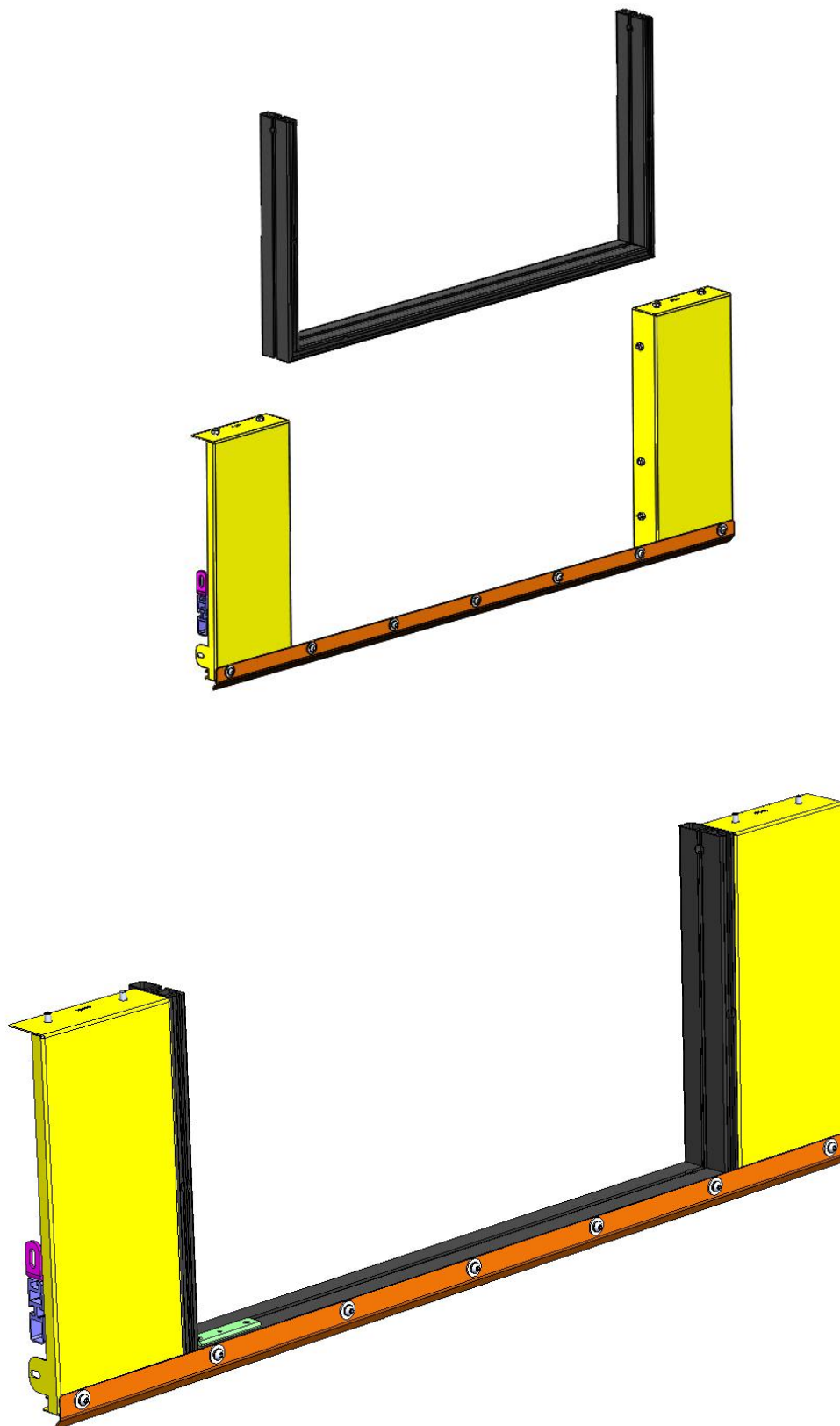


CC-FK-MB17

Rear filler panel assembly.



Fit lower door frame to filler panel assembly as shown.



Mount filler panel assembly to load bin as shown.

Remove all these brackets and fixtures

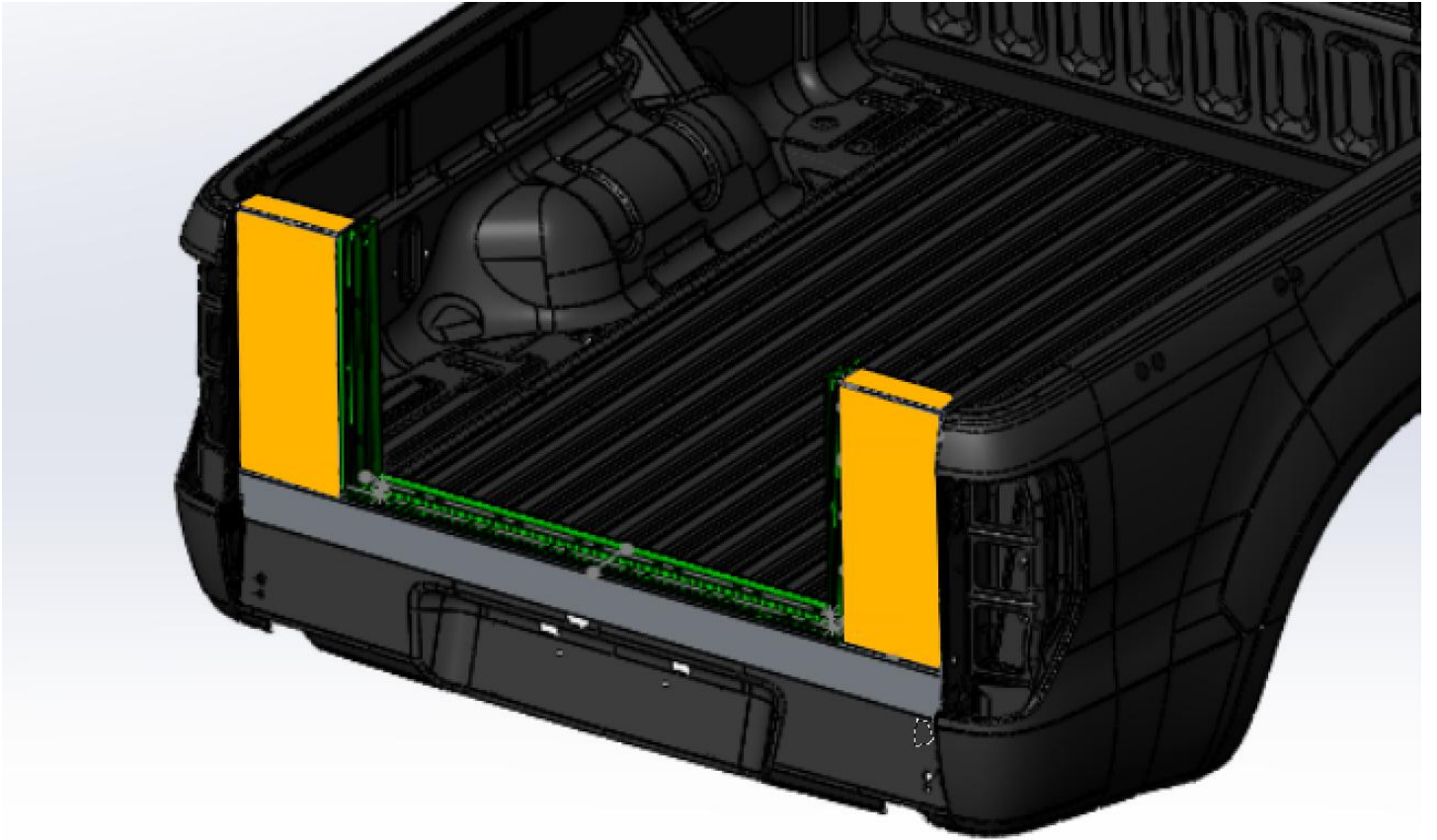


Do not discard this fastener, it is reused to mount the filler kit



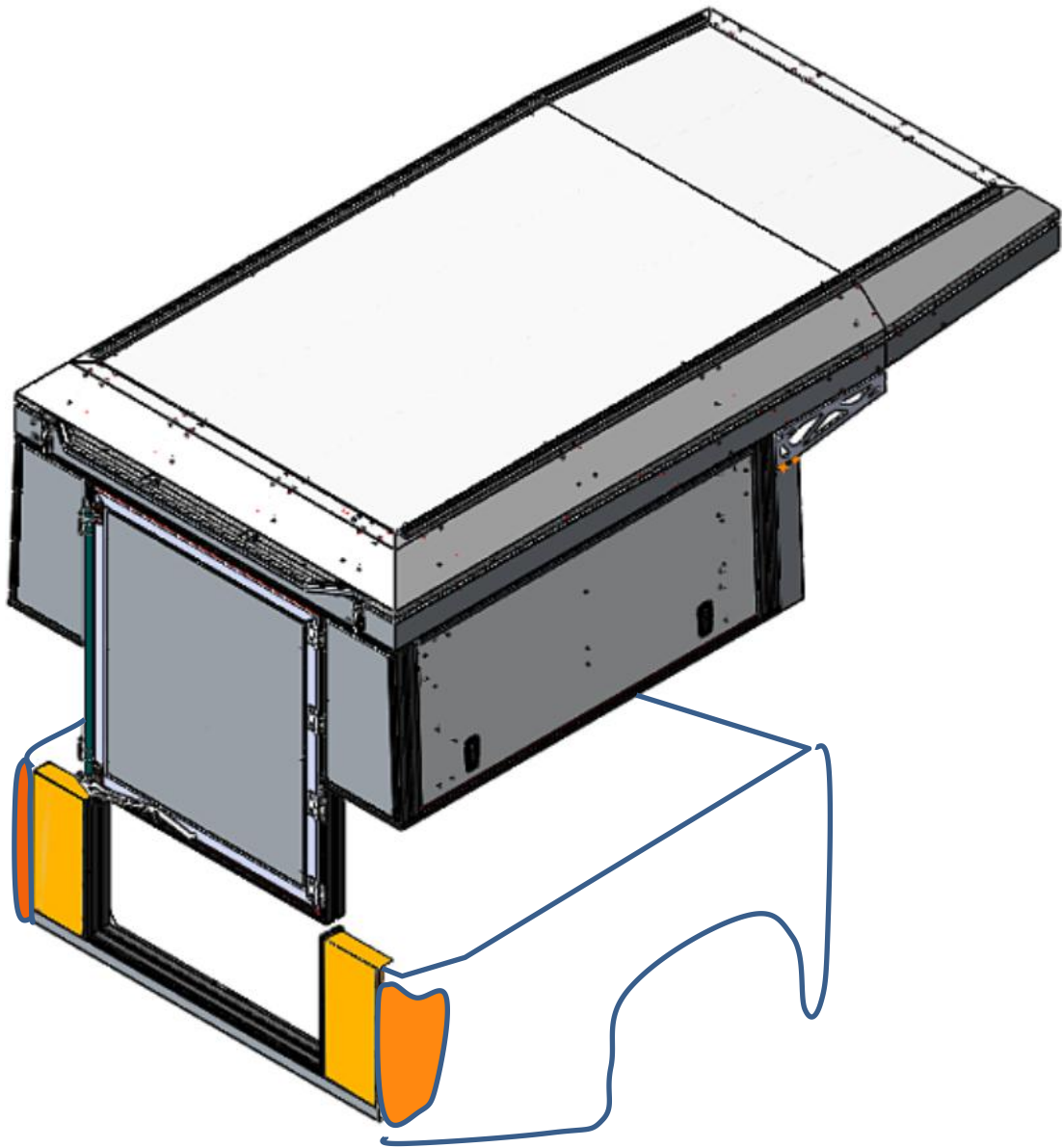
**WARNING**

Always wear appropriate PPE ( Personal protection equipment) when fitting this product. Although the mounting kit is designed to be DIY, if you have any doubts or concerns, contact an accredited fitment centre to carry out the work. Alu-Cab will not be liable for any injury to persons, and/or damage to products and/or vehicles.



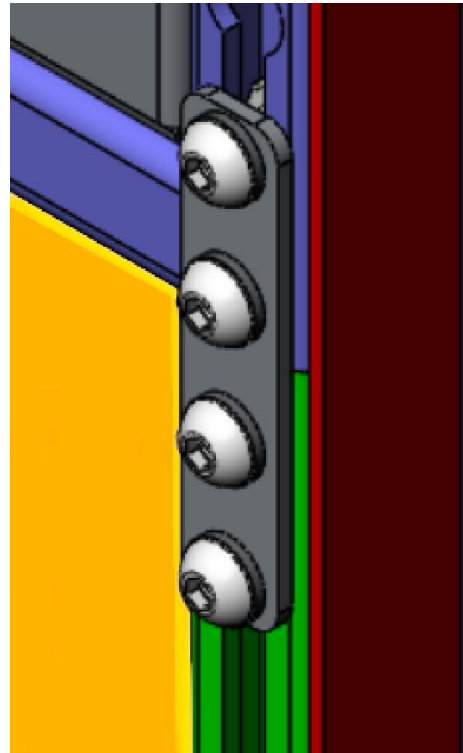


Then mount canopy camper base unit on top of load bin.

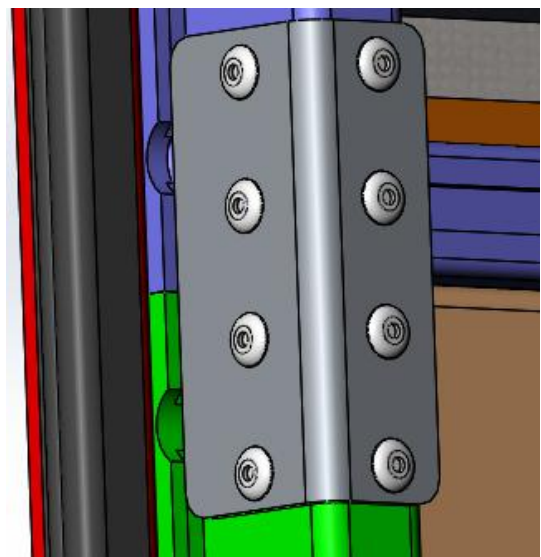
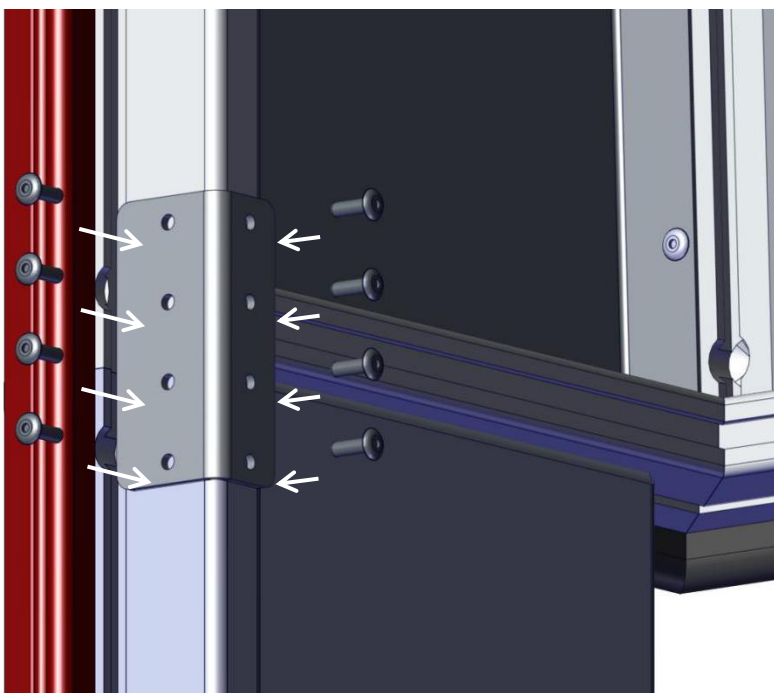


1. Connect rear filler panel assembly and base unit as shown.

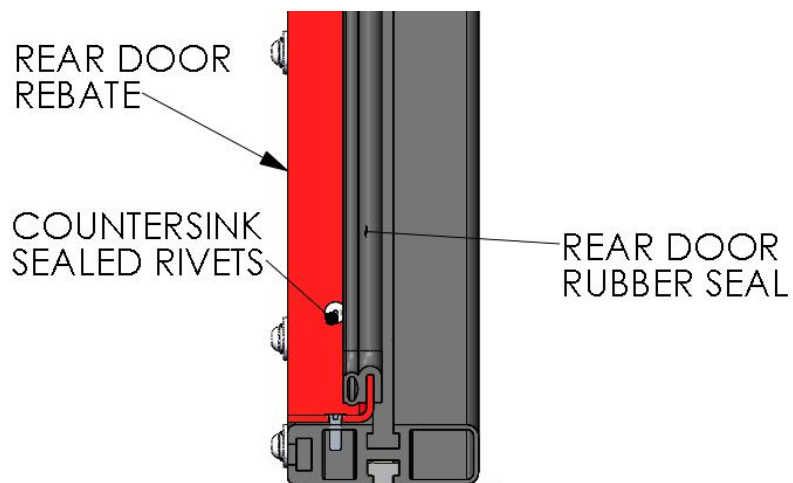
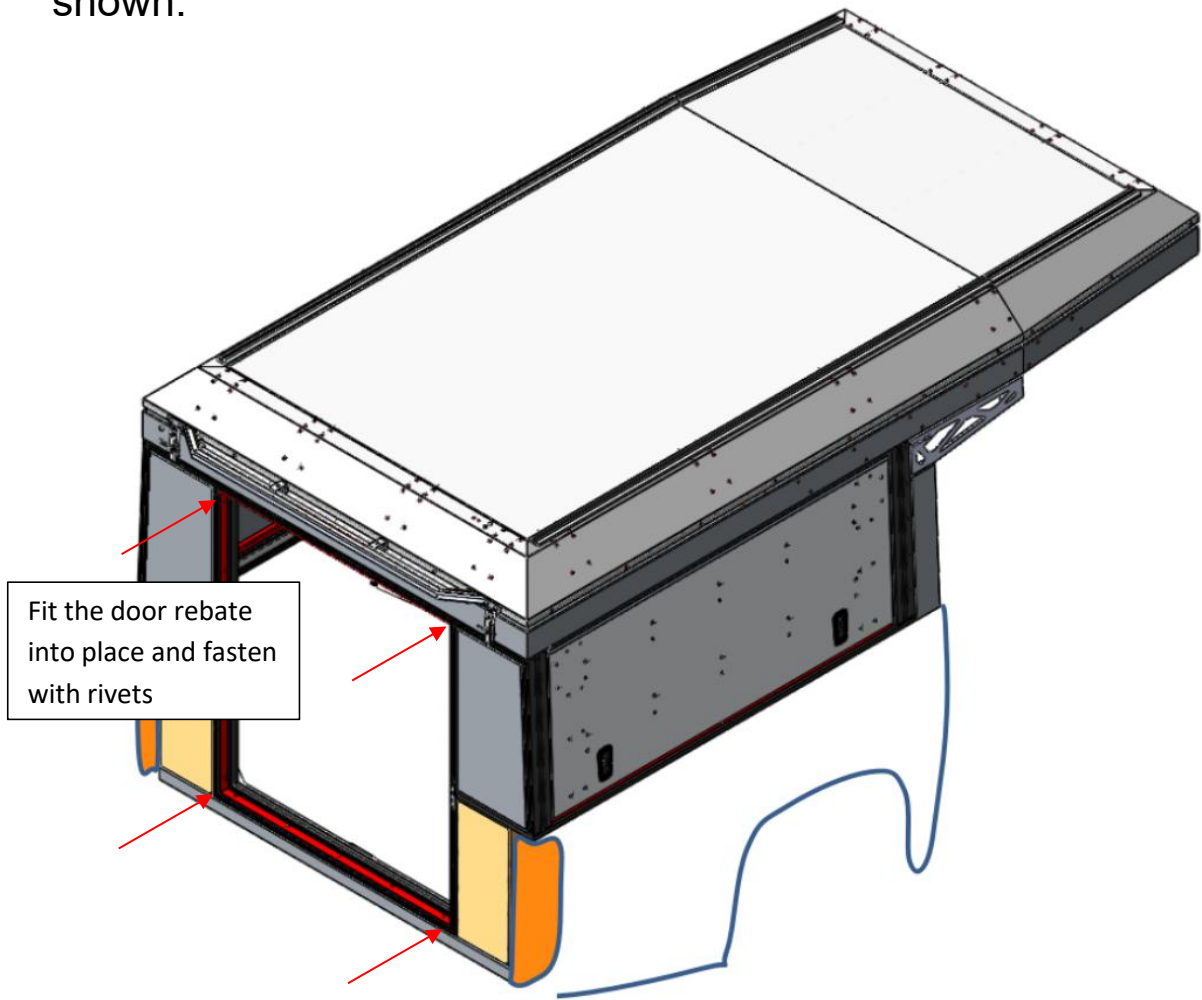
OUTER MOUNTING ON BOTH JOINTS



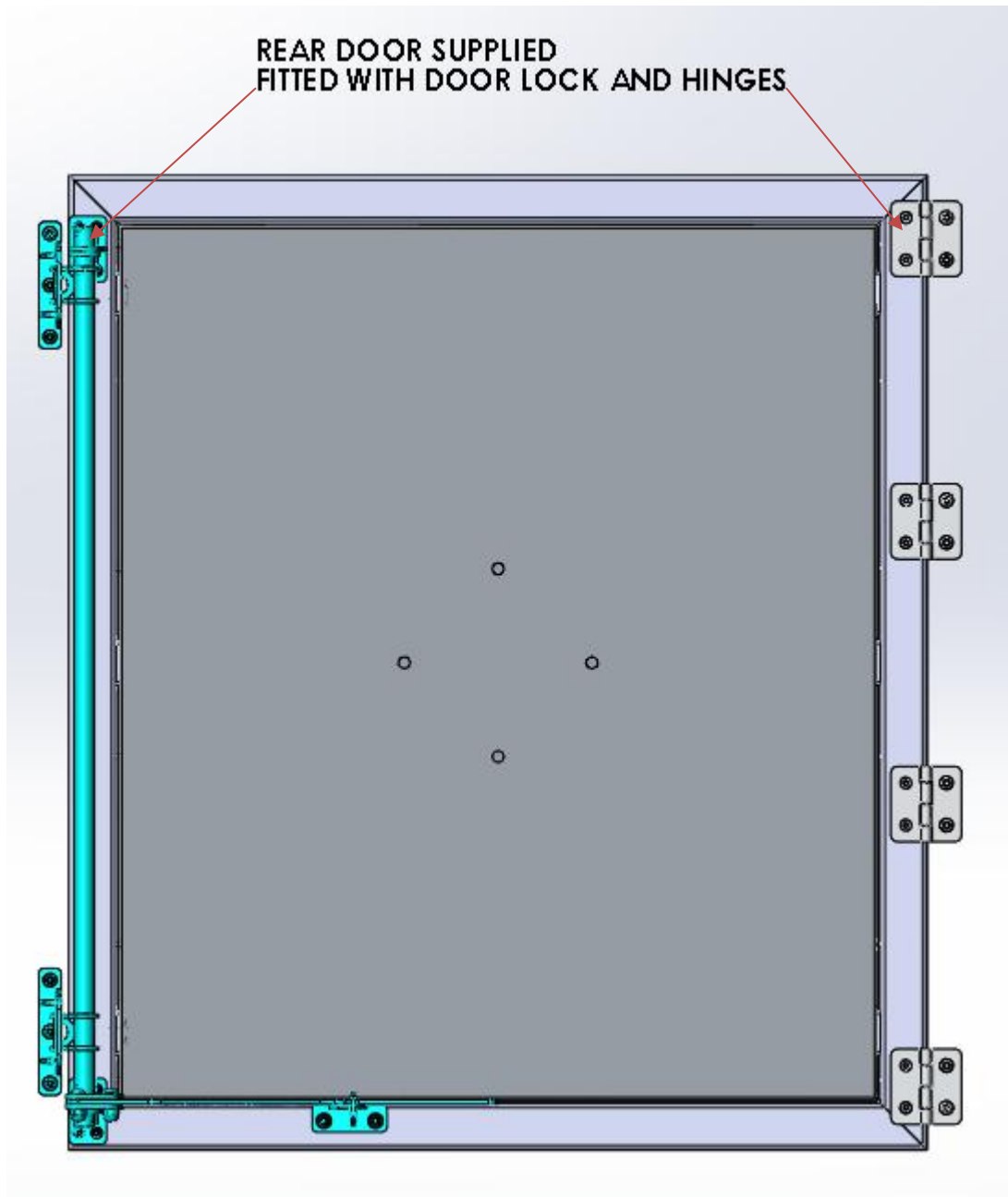
INNER MOUNTING ON BOTH JOINTS



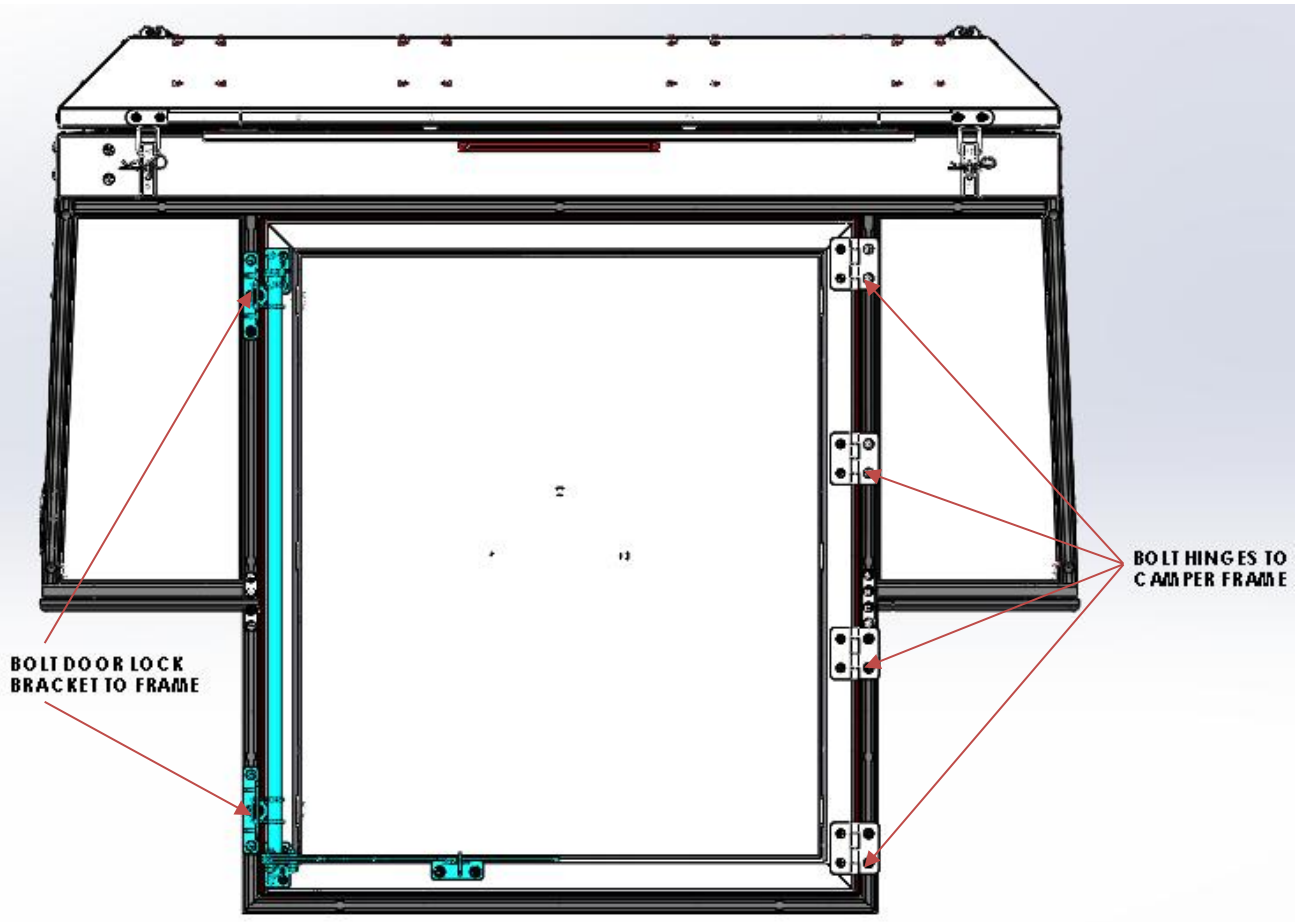
Fit rear door rebate with  $\text{\O}4.8 \times 15$  sealed countersink rivets as shown.



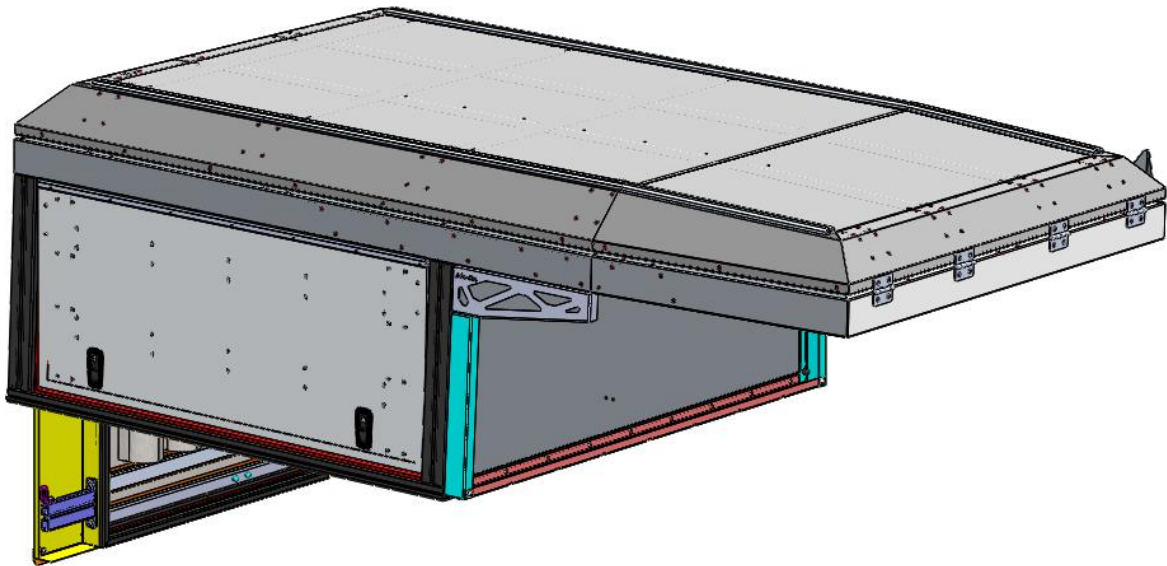
Fit rear door by mounting 4 x Butt hinges to camper frame as shown. Centre rear door, top to bottom and the hinge centres left to right. Also mount the door lock to the camper frame.



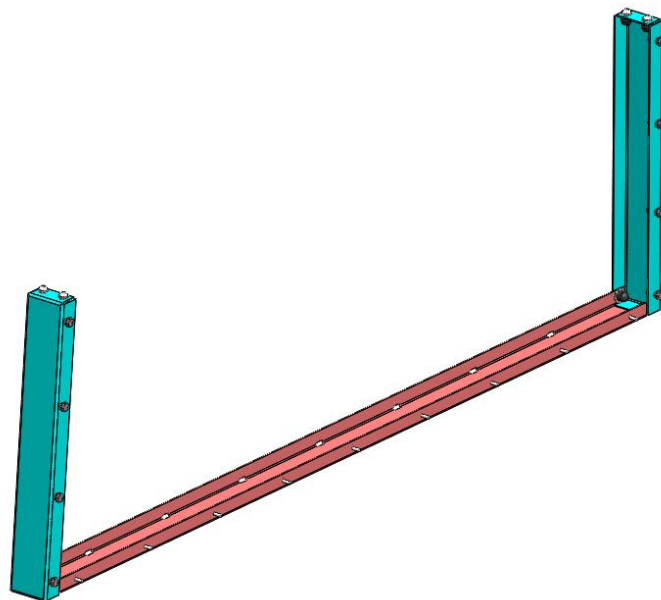
Attach hinges and lock to camper frame.



Fitting of front filler panels to base unit.

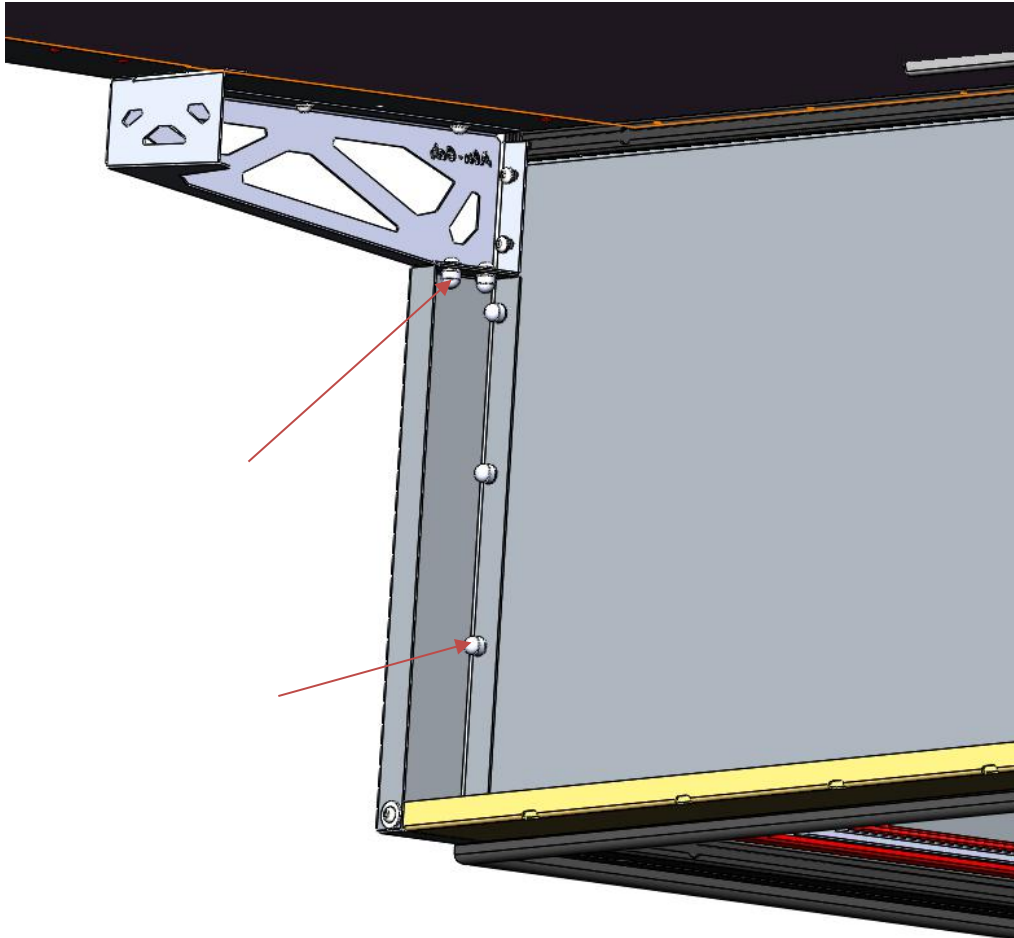


Front filler panel assembly.

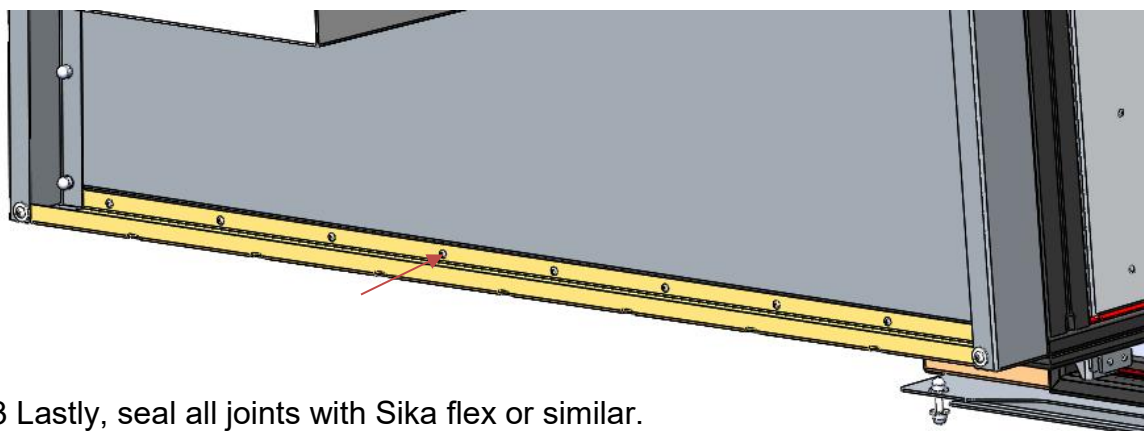


ITEM NO.	PART NUMBER	DESCRIPTION	MATERIAL	QTY.
1	162-NP300-SID-FILL-PNL-LH-01-00	SIDE FILLER PANEL	1060 Alloy (2mm)	1
2	162-NP300-SID-FILL-PNL-RH-01-00	SIDE FILLER PANEL RH	1060 Alloy (2mm)	1
3	162-NP300-BOT-FILL-PLT-01-00	BOTTOM FILLER PLATE	1060 Alloy (2mm)	1
4	ISO 7380 M8x20 Button Head HexSocket Screw	Button Head HexSocket Screw	AlSi316	6
5	M8 Nut Cap	Plastic Nut Cap	PE Low/Medium Density	14
6	DIN 985 M8 Nyloc Nut	Nyloc Nut	AlSi316	14
7	ASS4815 Sealed Blind Rivet	Sealed Blind Rivet	Al5052	9
8	DIN 125A M8 Flat Washer	Flat Washer	AlSi316	16
9	DIN 9021 M8x24 Flat Washer	M8x24 Flat Washer	AlSi316	4
10	M8x20 Hex Head Bolt	Hex Head Bolt	AlSi316	8

Bolt side panels to frame of camper and onto the Reinforcement bracket as shown.



Rivet bottom filler panel on to bottom frame member using supplied  $\text{Ø}4.8 \times 15$  sealed rivets



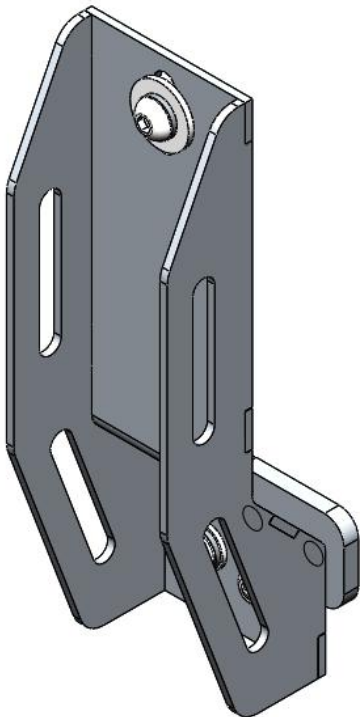
8.3 Lastly, seal all joints with Sika flex or similar.

# Nissan NP300, Mercedes X-Class Canopy Camper Mounting Brackets

## Fitment Instructions

### 1. NP300 & X-Class Canopy Camper Mounting Brackets

6 OFF REQUIRED

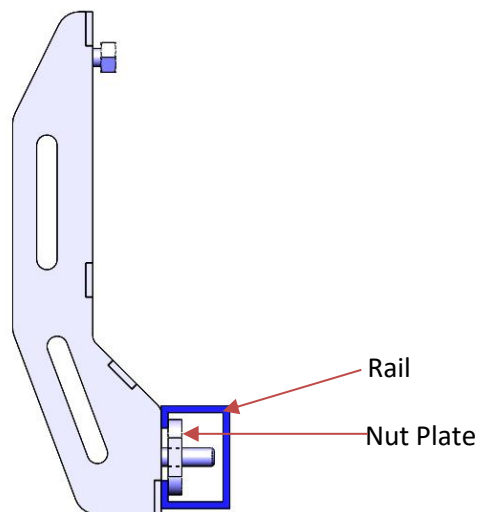
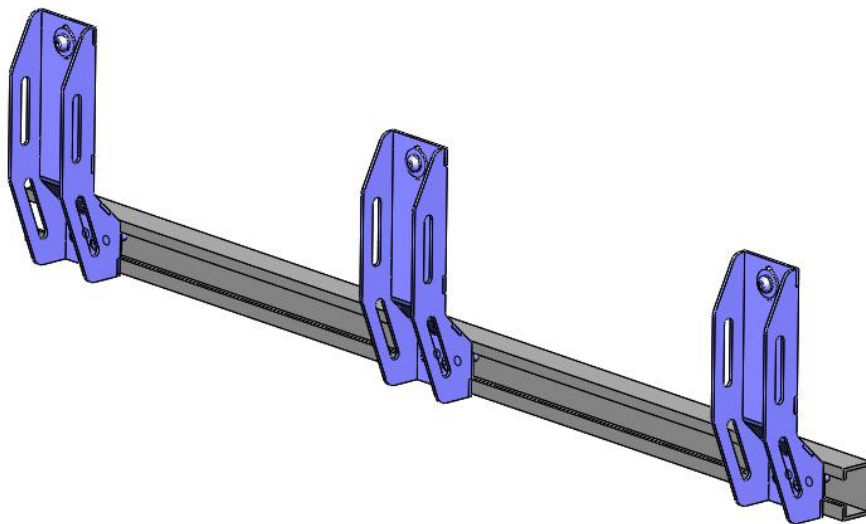




## 2. Fitting the Canopy Camper Mounting Brackets

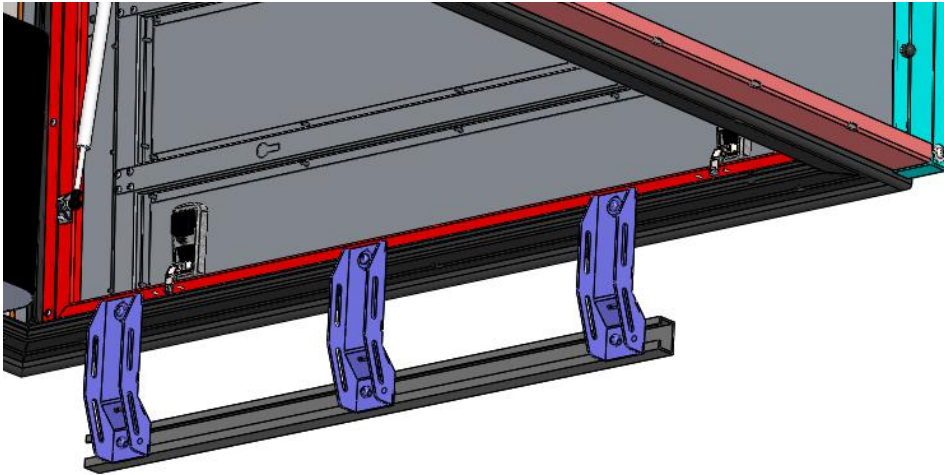


2.1 Fit 3 off mounting bracket set on either side of load bin to the pre fitted rail as shown above. Insert nut plate of bracket set into rail and bolt the bracket onto it.



3. Fit top bolt of bracket into base frame load bar as shown below.

4. Do the same for the opposite side.



**NB!** The Canopy Camper must rest solely on the mounting brackets and no load is allowed on the load bin. Once this is completed, the Canopy Camper has been installed successfully.