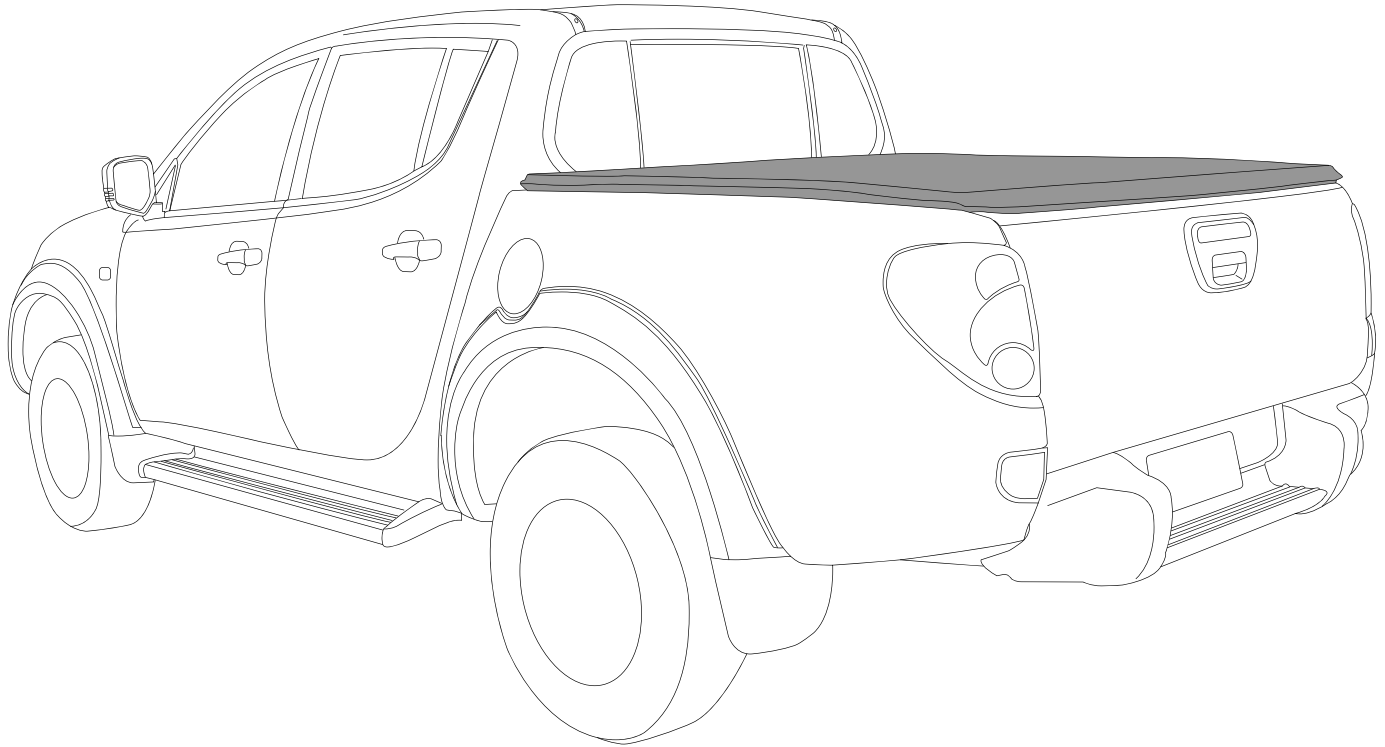




SOFT TONNEAU COVER INSTALLATION INSTRUCTIONS

**Care Instructions:**

Clean Tonneau Cover with a mild detergent and water solution.



Do not use abrasive cleaners or solvents.

PLACE THESE INSTRUCTIONS IN VEHICLE'S GLOVE BOX AFTER INSTALLATION IS COMPLETE.

IMPORTANT

WARNING!

Securely lock Tonneau Cover or Draw Back and Securely Tie Back before operating vehicle! Failure to do so could result in unexpected opening of the Tonneau Cover from sudden wind gusts, which could cause damage to the vehicle and/or your Tonneau Cover!

Maintenance

Your EGR Tonneau Cover only requires periodic cleaning with water, neutral car wash soap and sponge or flannel. Never use any chemicals or abrasive products to clean your EGR Tonneau Cover. Always use the Central Crossbars to give support and facilitate water drainage.

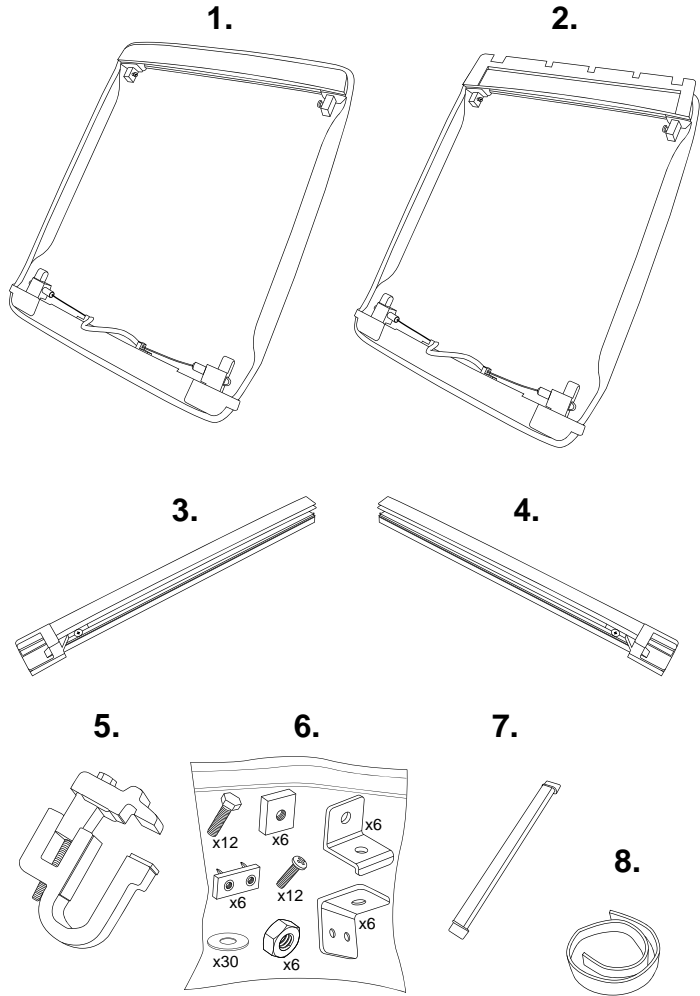
The latch mechanisms only require occasional lubrication with Graphite Powder. Using alternative lubricants or oils, will void warranty.

All installation Clamps must be regularly checked and tightened if required.

IMPORTANT!

- Do not stand/sit or rest heavy objects on Tonneau Cover.
- Do not carry Sharp or Pointed Material, or Material that exceeds Bed Height with Tonneau Cover closed.
- Humans or animals are not to be under the closed Tonneau Cover at any time.
- Securely lock Tonneau Cover before operating vehicle.
- Do not carry open volatile chemicals with Tonneau Cover installed.
- If contact with volatile chemicals occurs clean Tonneau Cover with mild detergent and water solution.
- Read instructions carefully before installation. It is strongly recommended that installation is conducted by an authorized dealer.
- This product must be installed exactly as specified in these instructions. Failure to do so may result in improper fit and/or retention.

COMPONENTS LIST



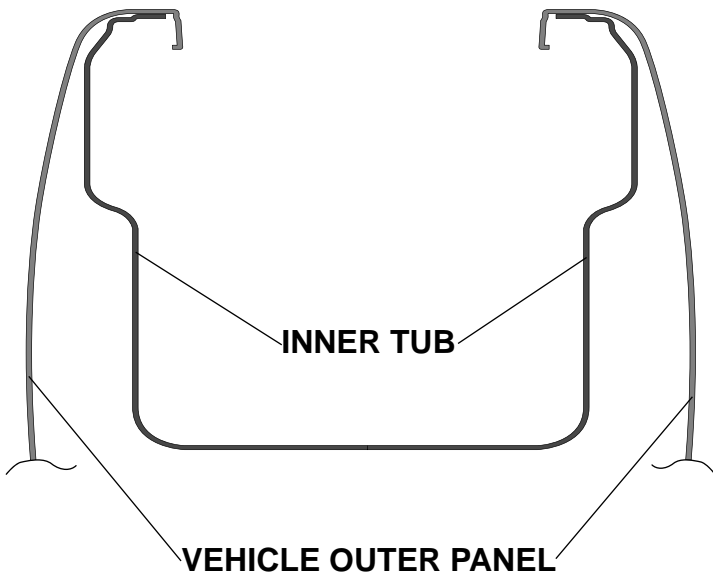
NO.	COMPONENT	QTY
1	Front Rail, Cover, Corner Piece Assy	1
2	Front Rail, Cover, Corner Piece Assy Cabin Guard	1
3	Side Rail Assy LH	1
4	Side Rail Assy RH	1
5	Clamp Assy ('A' Deck)	6
6	Clamp Assy Kit ('J' Deck)	6
7	Cross Bar	2
8	Cabin Guard Seal	1

RECOMMENDED TOOL LIST

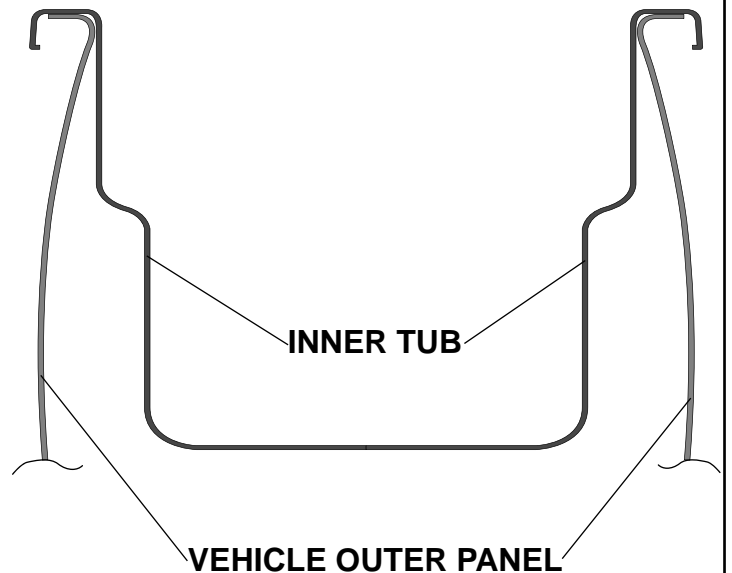
Phillips Head Screwdriver
Cleaning Materials
10mm Spanner

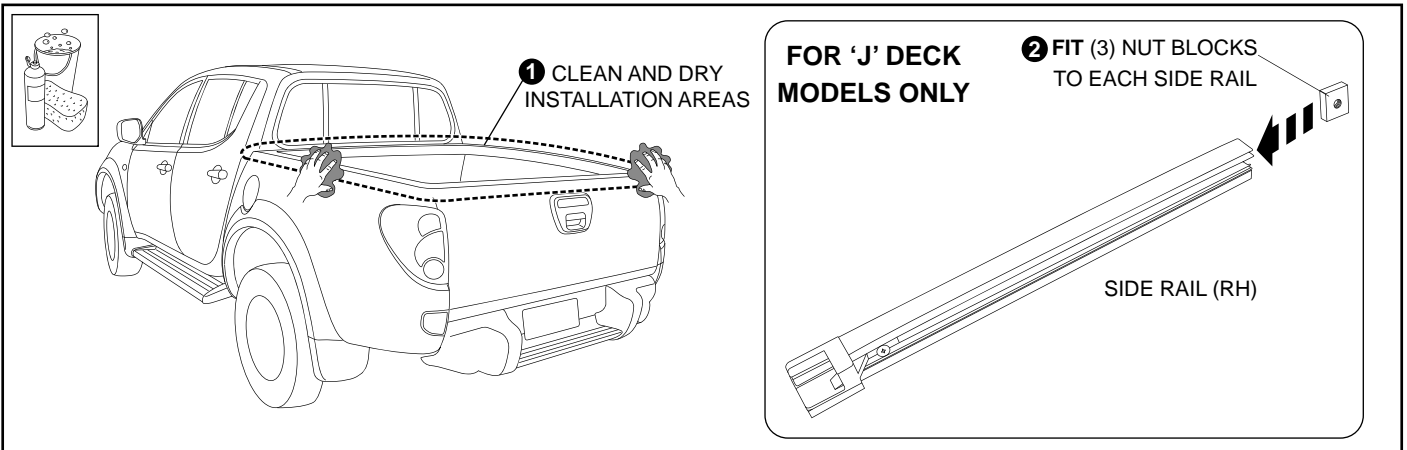
DESCRIPTION	ITEMS							
	1	2	3	4	5	6	7	8
'A' DECK NO - CABIN GUARD	✓		✓	✓	✓		✓	
'A' DECK WITH CABIN GUARD		✓	✓	✓	✓		✓	✓
'J' DECK NO - CABIN GUARD	✓		✓	✓		✓	✓	
'J' DECK WITH CABIN GUARD		✓	✓	✓		✓	✓	✓

'A' DECK CROSS SECTION

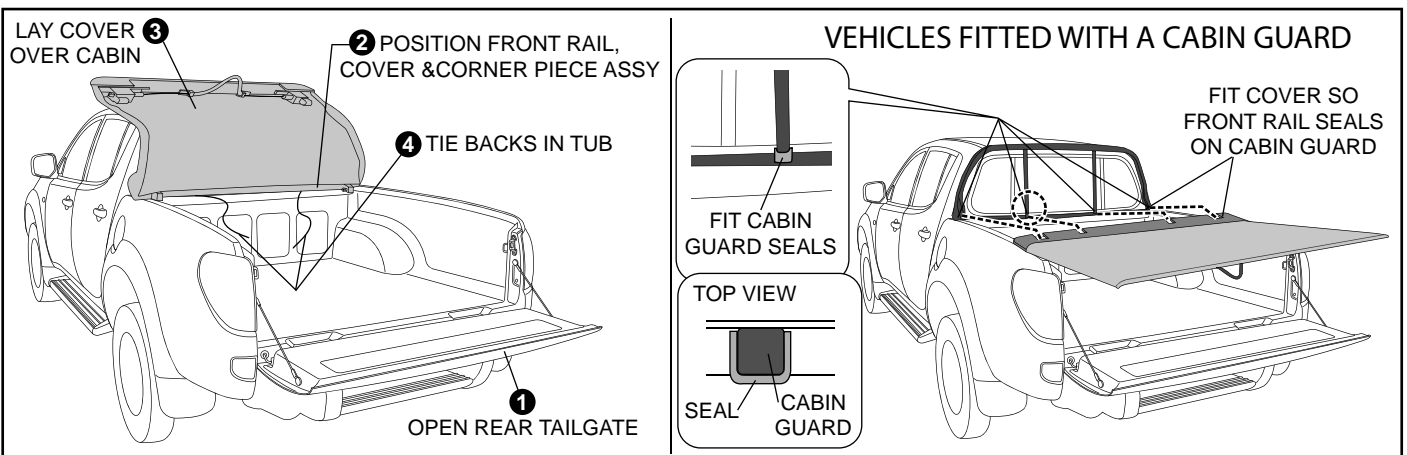


'J' DECK CROSS SECTION

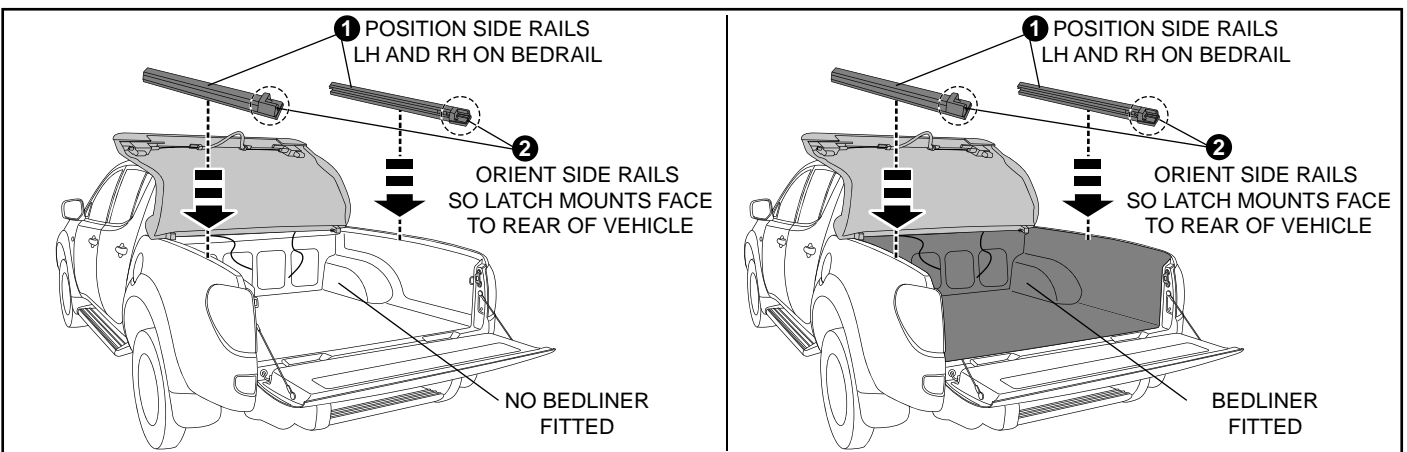




1. Thoroughly clean and dry the installations areas.
If fitting a 'J' Deck model, Fit three (3) Nut Blocks from the [Clamp Assy Kit ('J' Deck)] to the RH Side Rail and repeat for the LH Side Rail.

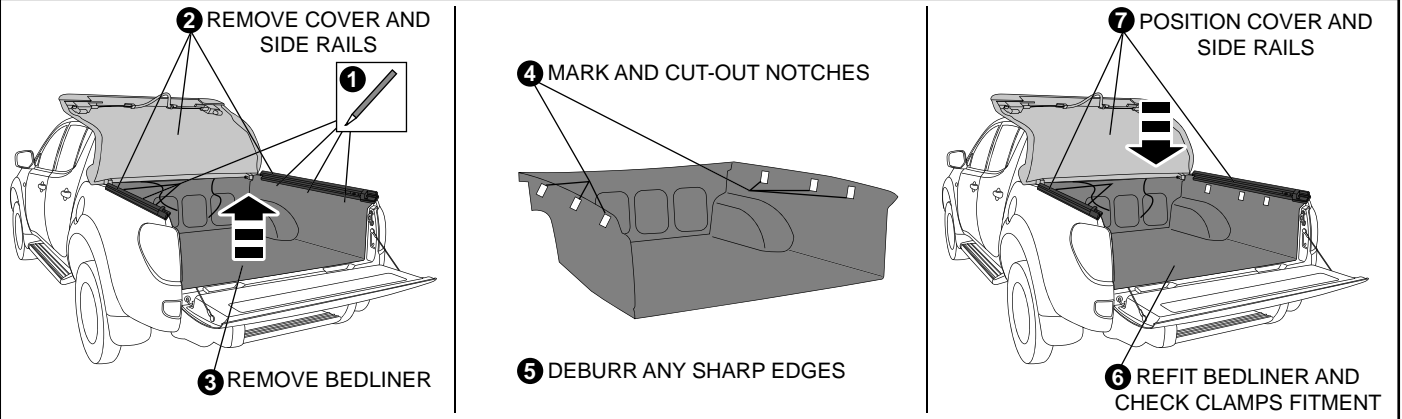


2. Open Rear Tailgate. Position Front Rail, Cover & Corner Piece Assy at the Front of the Tub on the Bedrail, with the cover carefully layed over the Vehicle Cabin. If Cabin Guard is fitted, first fit cabin guard seals to cabin guard and cut to length as shown, then align notches on Front Rail Cover Assy with Cabin Guard Bars as shown.
NOTE: Ensure Tie Backs are positioned inside the Tub as Shown Above.

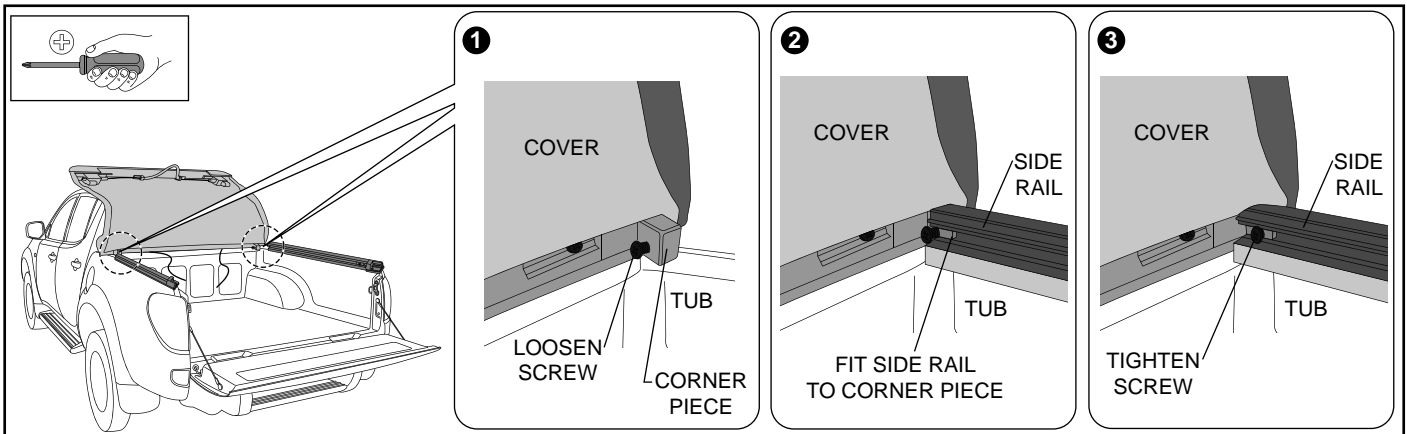


3. Position Side Rail Assy's LH & RH on the respective Bed rail Sides Ensuring Latch Mounts are orientated to the Rear of the Vehicle as shown above.
NOTE: If your vehicle is fitted with a Bedliner please proceed to Step 4, If your vehicle does not have a bed liner please proceed to Step 5.

STEP 4 ONLY APPLIES TO 'A' DECK VEHICLES FITTED WITH A BEDLINER

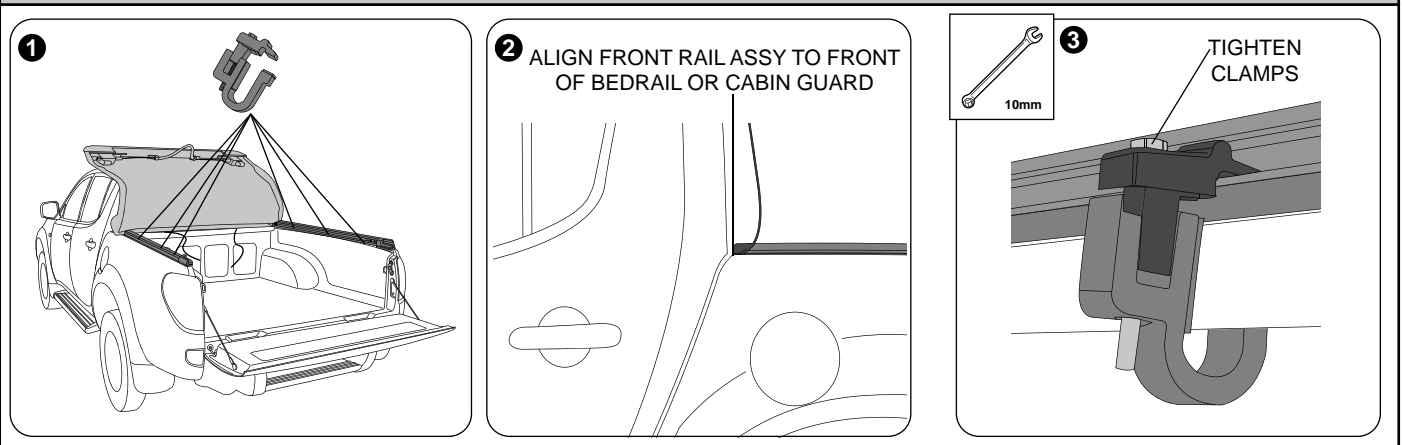


- 4.** Using clamp location stickers on the Side Rails, mark a centreline on the Bedliner where the Clamps will be located. Remove Cover & Side rails, then remove the Bedliner. Measure the height of the vehicle rails and mark a rectangle on the Bedliner to enable the clamps to be fitted to the vehicle. Cut out marked areas on Bedliner and deburr any sharp edges. Refit Bedliner to the vehicle and check that the Clamps can be fitted. Position the Front rail, Cover and corner piece assy and Side rails as per steps 2 & 3.



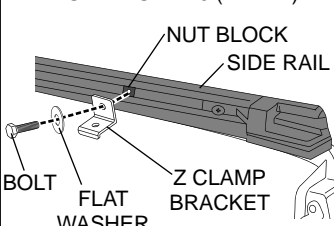
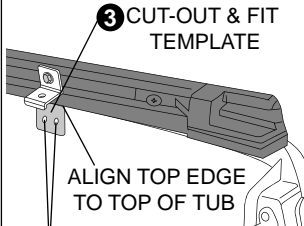
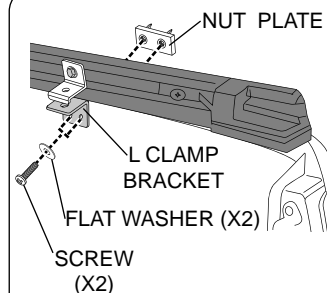
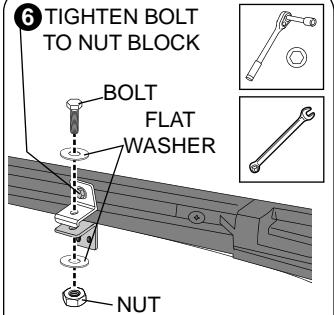
- 5.** Loosen Screw (ensuring it does not dis-engage from the Nut) on each side of the Front Rail Corner Piece Assy's as shown. Slide Side Rail Assy's LH & RH into the Front Rail Corner Piece Assy's ensuring they are fully engaged as shown. Tighten Screws on both sides to firmly clamp Side Rails to Front Rail as shown above.

STEP 6 ONLY APPLIES TO 'A' DECK VEHICLES

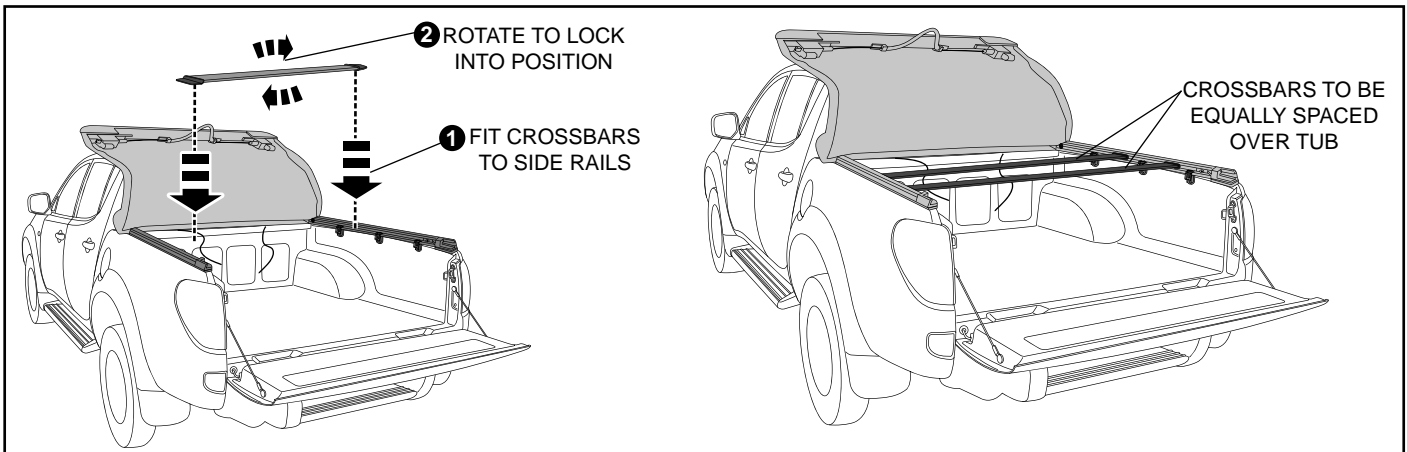


- 6.** Loosely fit three (3) Clamp Assy's per side, aligning them with the clamp location stickers on the Side Rails as shown. Align Front Rail Assy to the Front Bed rail or Cabin Guard (if fitted) and Centralise so both Side Rail Assy's sit evenly on the Bed Rails as shown. Finger tighten all clamps. Using a 10mm Spanner, tighten the front clamps closest to the cabin. Position cover over the Tub and read steps 9 & 10 to fit cover to the side rails. With the cover attached to the side rails Align one side to the bedrail and tighten the rear clamp. Position the other side rail on the bedrail, ensure the cover is pulled tight across the vehicle tighten the other rear clamp. Remove the cover as detailed in step 11 and 12, tighten the (2) remaining clamps so the Side Rails are firmly attached to the Vehicle.

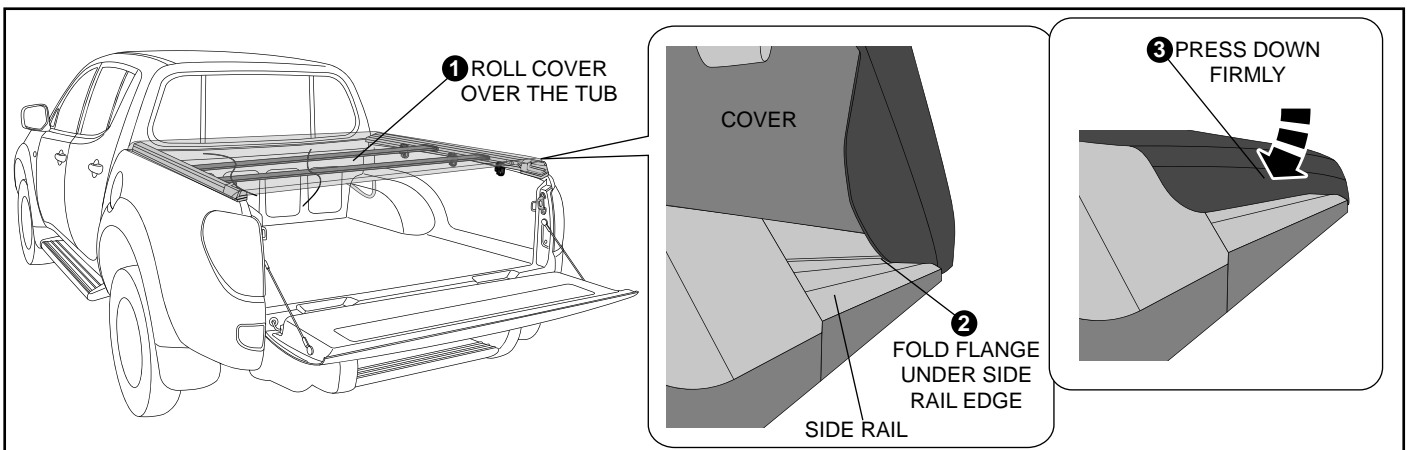
STEP 7 ONLY APPLIES TO 'J' DECK VEHICLES

<p>1 ALIGN FRONT RAIL ASSY AS PER STEP 6 (ITEM 2)</p>  <p>2 FIT BOLT, FLAT WASHER AND Z CLAMP BRACKET</p>	<p>3 CUT-OUT & FIT TEMPLATE</p>  <p>4 MARK, DRILL Ø6mm HOLES (X2)</p> <p>ALIGN TOP EDGE TO TOP OF TUB</p>	 <p>5 FIT L CLAMP BRACKET, (2) SCREWS, (2) FLAT WASHERS AND NUT PLATE</p>	<p>6 TIGHTEN BOLT TO NUT BLOCK</p>  <p>7 FIT BOLT, FLAT WASHERS AND NUT</p>
---------------------------------------------------------------------------------------------------------------------------------------------------------------------------------------------------------	--------------------------------------------------------------------------------------------------------------------------------------------------------------------------------------------------------------	--------------------------------------------------------------------------------------------------------------------------------------------------------------------	------------------------------------------------------------------------------------------------------------------------------------------------------------------------------

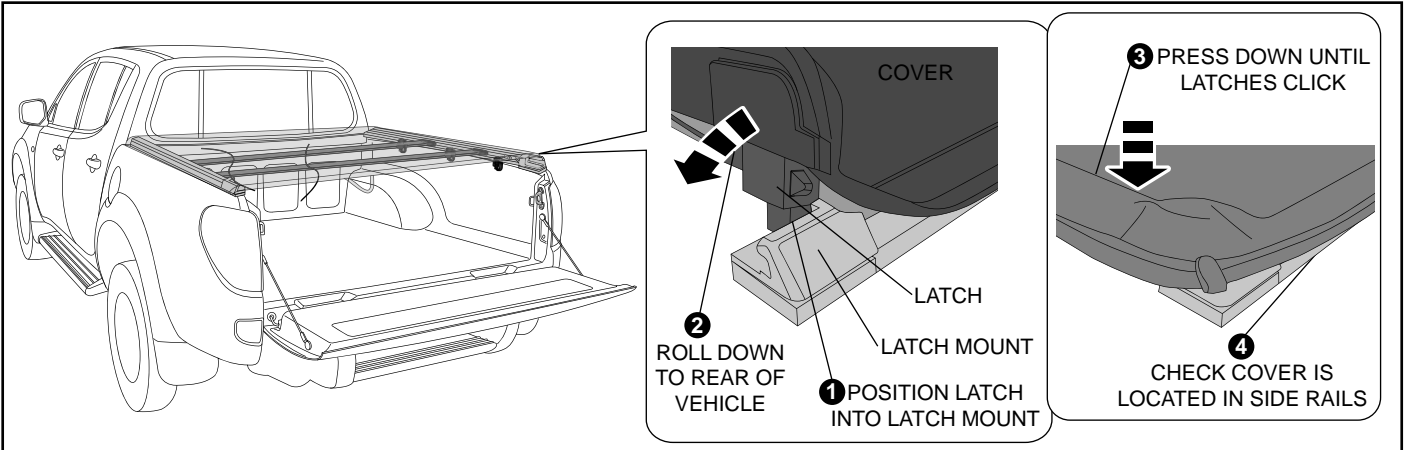
7. Align Front Rail Assy to the Front Bed rail or Cabin Guard (if fitted) as per step 6 (item 2). Loosely assemble Z clamp bracket, Bolt & Flat Washer to Nut Block in Side Rail, align to clamp sticker on Side Rail as shown. Cut-out and position template (from page 8) as shown aligning to the Z Clamp bracket and the top edge to the top of the bedrail. Mark and drill two (2) Ø6mm holes. Remove template. Install L clamp bracket with 2 screws and nut plate supplied as shown. Tighten Screws to Nut Plate and Bolt to Nut Block. Install one (1) Bolt and Nut, and two (2) Flat Washers to secure Side Rails to the vehicle. Finger tighten all Nuts. **Repeat process for three (3) clamps per side.** Using a 10mm Spanner and adjustable spanner, tighten the front clamps closest to the cabin. Position cover over the Tub and read steps 9 & 10 to fit cover to the side rails. With the cover attached to the side rails Align one side to the bedrail and tighten the rear clamp. Position the other side rail on the bedrail, ensure the cover is pulled tight across the vehicle tighten the other rear clamp. Remove the cover as detailed in step 11 and 12, tighten the (2) remaining clamps so the Side Rails are firmly attached to the Vehicle.



8. Some vehicles require different length Cross bars, If the Cross Bars are marked Front & Rear ensure the Front Cross Bar is installed closest to the Cabin & the Rear Cross Bar closest to the Tailgate. If there are no markings then the Cross Bars are the same length and can be installed Front and Rear. Install Crossbars evenly spaced by sliding into Side Rails at an angle & rotating till they run across the vehicle. **NOTE: Crossbars must be fitted as instructed to assist Water Drainage. Failure to fit Crossbars may result in Damage.**

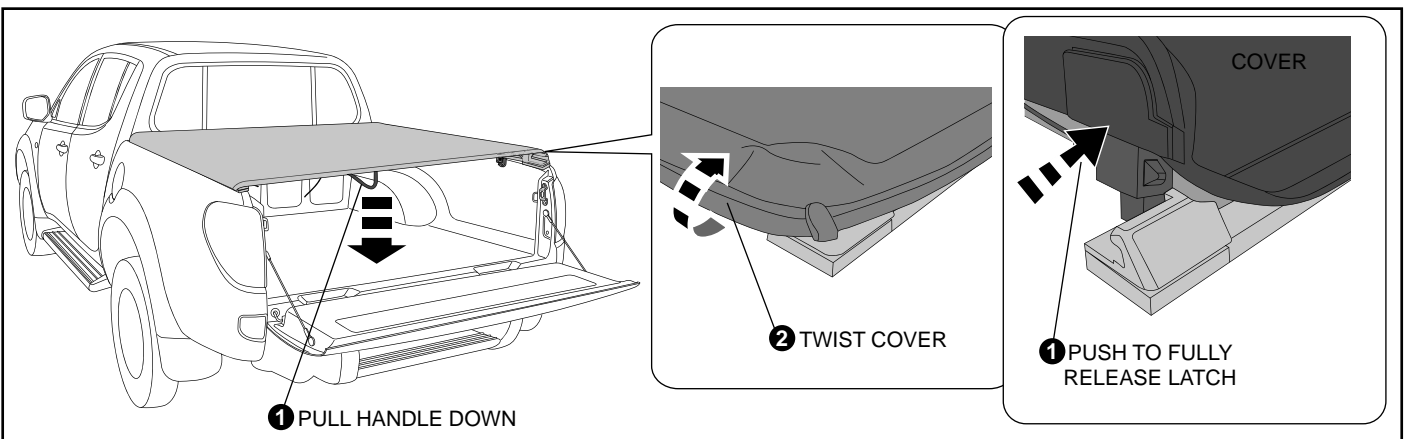


9. Roll Cover over the Tub towards the rear of the Vehicle. Fix the Cover to the Side Rails by folding the Flexible Flange on the Cover outwards and rolling them in under the edge of the Side rails as shown above. To lock them in Press Down firmly on the outside of the Cover as shown above.

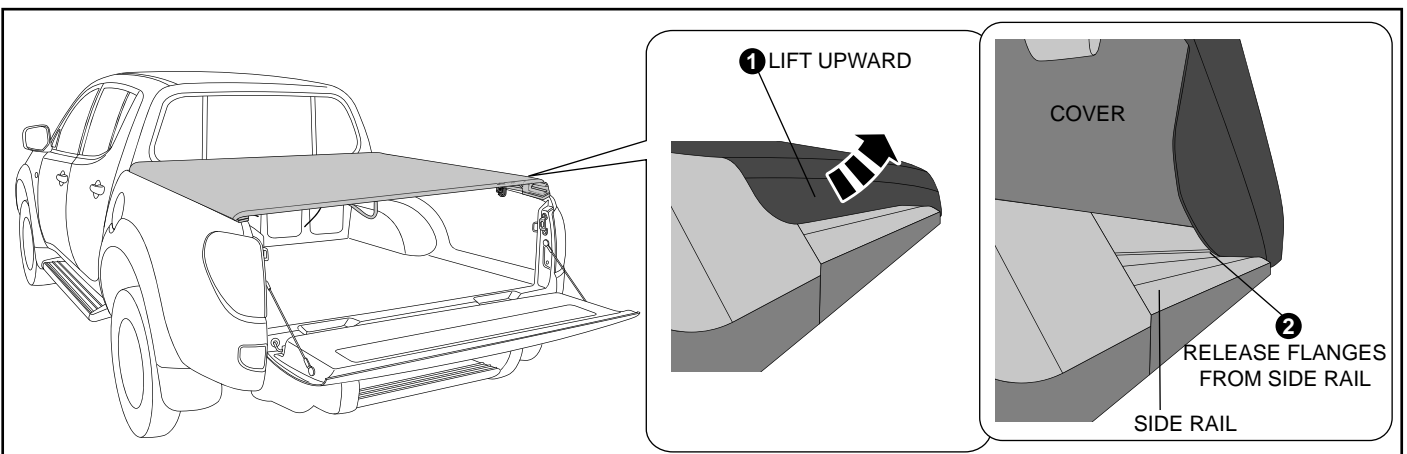


10. Position Latches into Latch Stretch Mounts as shown above. Holding the Cover Rail at the Rear Roll towards the Rear of the Vehicle and Down until Latches Click and Both are Locked into Position. Check that the entire length of the Cover Side Flexible Flanges are firmly located into the Side Rails.

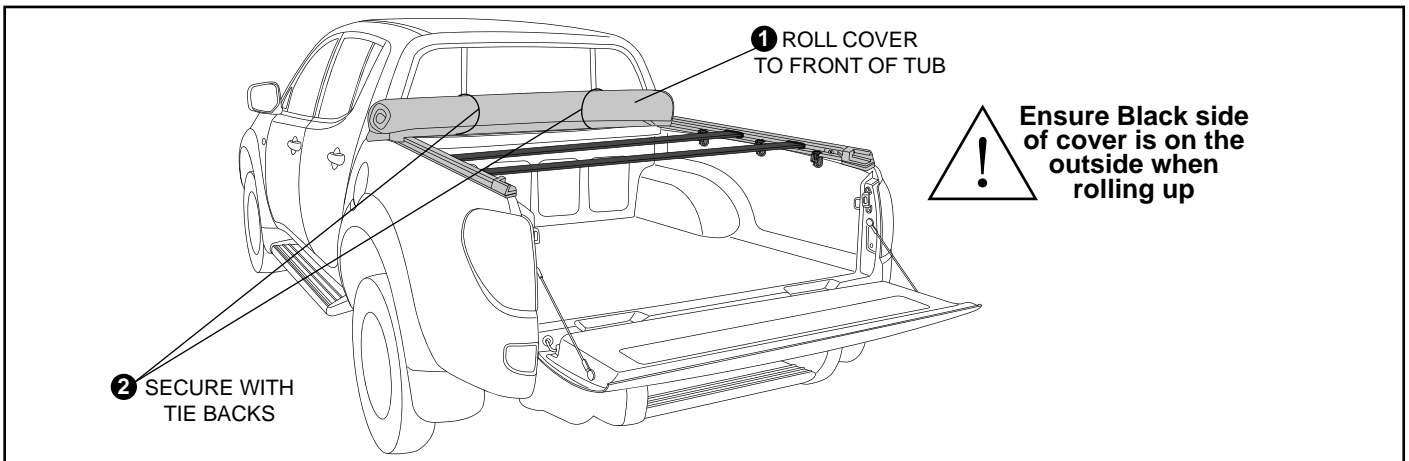
INSTRUCTIONS TO REMOVE SOFT TONNEAU COVER



11. Open Rear Tailgate. Locate Latch Pull Tab Under the Cover in the middle, and Pull in a Downward Direction to Disengage Latches, Twist the Covers Rear Rail in an upward and forward direction to Completely Release the Latches.



12. Working from the Rear to the Front of the Vehicle, Grip & Lift in an upward direction the Sides of the Cover to Release the Flexible Flanges from the Side rails.



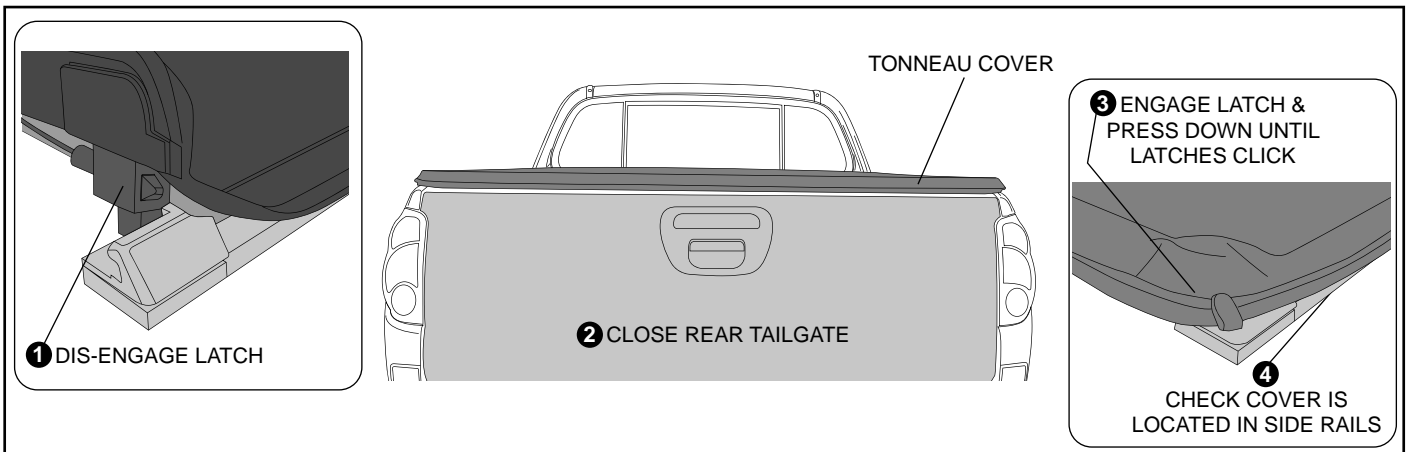
13. Roll Cover inwards to the Front of the vehicle and secure with the Tie Backs.
IMPORTANT: Ensure Black side of cover is on the outside when rolling up as it is UV Protected.

IMPORTANT

DO NOT CLOSE THE REAR TAILGATE WHEN TONNEAU COVER LATCHES ARE ENGAGED.

When Closing the Vehicle Tailgate Ensure the Tonneau Cover Latches are Dis-engaged First, then close the Tailgate.

Re-engage the Latches and ensure that the entire length of the Cover Side Flexible Flanges are firmly located into the Side Rails as per step 10.



A. To Close Rear Tailgate Dis-engage Latches as per step 11, then Close Rear Tailgate.
Re-engage the latches and ensure that the entire length of the Cover Side Flexible Flanges are firmly located into the Side Rails

DRILL TEMPLATES FOR 'J' DECK VEHICLES ONLY

